

M23 female 90° with cable

PUR 16x0.34+3x0.75 gy drag ch. 10m

Female 90°

M23, 19-pole

19-pole used

for 8-way distribution boxes, 5-pole

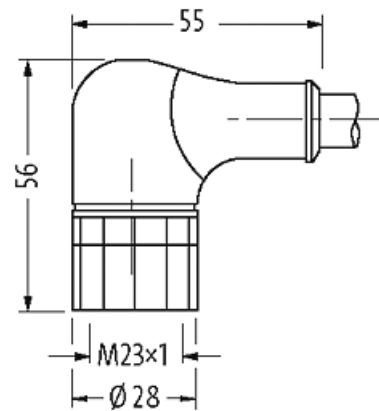
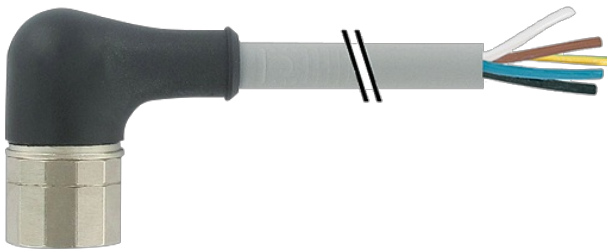
Further cable lengths on request.

Plastic housings with good resistance against chemicals and oils.

The resistance to aggressive media should be individually tested for your application. Further details on request.

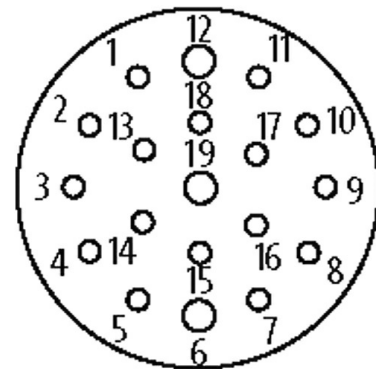
Link to Product

Illustration



| | | |
|----|---|----------------------------------|
| 15 | ▷ | white |
| 7 | ▷ | gray/pink |
| 5 | ▷ | green |
| 4 | ▷ | red/blue |
| 16 | ▷ | yellow |
| 8 | ▷ | white/green |
| 3 | ▷ | gray |
| 14 | ▷ | brown/green |
| 17 | ▷ | pink |
| 9 | ▷ | white/yellow |
| 2 | ▷ | red |
| 13 | ▷ | yellow/brown |
| 11 | ▷ | black |
| 10 | ▷ | white/gray |
| | ▷ | violet |
| 1 | ▷ | gray/brown |
| 18 | ▷ | brown 0.75mm ² |
| 19 | ▷ | blue 0.75mm ² |
| 6 | ▷ | green/yellow 0.75mm ² |
| 12 | ▷ | |

Female



Product may differ from Image

Form

Form 23351

Technical Data

| | |
|-------------------------------|--|
| Operating voltage | max. 125 V AC/DC |
| Rated surge voltage | 2.5 kV |
| Operating current per contact | max. 7.5 A |
| Material group | IEC 60664-1, category I |
| Locking of ports | Screw thread (M23×1 mm) recommended torque 2.0 Nm, self-securing |
| Compression gland | M23 (SW27) |
| Protection | IP67 inserted and tightened (EN 60529) |

The information in this brochure has been compiled with the utmost care.

Liability for the correctness completeness and topicality of the information is restricted to gross negligence. Version: 03/22

| | |
|---|--|
| Locking material | Brass, nickel plated |
| Material | PUR |
| suitable for corrugated tube (internal Ø) | 16 mm |
| General data | |
| Pollution Degree | 3 |
| Temperature range | -5...+70 °C, depending on cable quality |
| Cables | |
| Cable number | 398 |
| No./diameter of wires | 16× 0.34 + 3× 0.75 mm ² |
| Wire isolation | PVC |
| C-track properties | 2 Mio. |
| Jacket Color | gray |
| Material (jacket) | PUR/PVC (UL/CSA) |
| Outer Ø | 10.0 mm ±5% |
| Bend radius (moving) | 10× outer Ø |
| Cable identification | 398 |
| Cable Type | 2 (PUR/PVC) |
| Approval (cable) | UL (AWM-Style 21441/10955), CE conform |
| Cable weight [g/m] | 165,0 |
| Material (wire) | Cu wire, bare |
| Resistor (core) | max. 57 Ω/km (0.34 mm ²), max. 26 Ω/km (0.75 mm ²); (20 °C) |
| Single wire Ø (core) | 0.15 mm |
| Construction (core) | 19× 0.15 mm (0.34 mm ²); 42× 0.15 mm (0.75 mm ²); (multi-strand wire class 5/6) |
| Diameter (core) | 16× 0.34 + 3× 0.75 mm ² |
| AWG | similar to AWG 22 (0.34 mm ²); similar to AWG 19 (0.75 mm ²) |
| Material (wire isolation) | PVC |
| Material property (wire isolation) | CFC-, cadmium-, silicone- and lead-free |
| Shore hardness (wire isolation) | 43 ±5 D |
| Wire-Ø incl. isolation | 1.3 mm ±5% (0.34 mm ²); 1.8 mm ±5% (0.75 mm ²) |
| Color/numbering of wires | wh, grpk, brgn, ye, whgn, gn, rdbl, vi, grbr, bk, whgr, rd, yebr, pk, whye, gr+bl, br, gnye longitudinally striped |
| Shield | no |
| Material (jacket) | PUR/PVC |
| Shore hardness (jacket) | 87 ±5 A |
| Outer-Ø (jacket) | 10.0 mm ±5% |
| Color (jacket) | gray |
| chemical resistance | good resistance to oil, gasoline and chemicals (EN 60811-404) |
| Nominal voltage | U0/U 300/300 V AC |
| Test voltage | 2000 V AC |
| Current load capacity | to DIN VDE 0298-4 |
| Temperature range (fixed) | -30...+80 °C |
| Temperature range (mobile) | -5...+60 °C |
| Bend radius (fixed) | 5× outer Ø |
| Bend radius (moving) | 10× outer Ø |
| No. of bending cycles (C-track) | max. 2 Mio. (25 °C) |
| Traversing distance (C-track) | max. 5 m (horizontal) |
| Travel speed (C-track) | max. 2 m/s |
| Acceleration (C-track) | max. 10 m/s ² |
| Commercial data | |
| country of origin | DE |
| customs tariff number | 85444290 |
| EAN | 4048879187862 |
| eClass | 27279218 |
| Packaging unit | 1 |

