

## CUBE67 Hygienic Design I/O EXTENSION MODULE

8 multifunction channels

Expansion module

DIO8 - 0.5 A (E) - 4× M12

short-circuit and overload protected

Digital inputs/outputs (multifunctional)

Hygienic Design

Stainless steel, polished

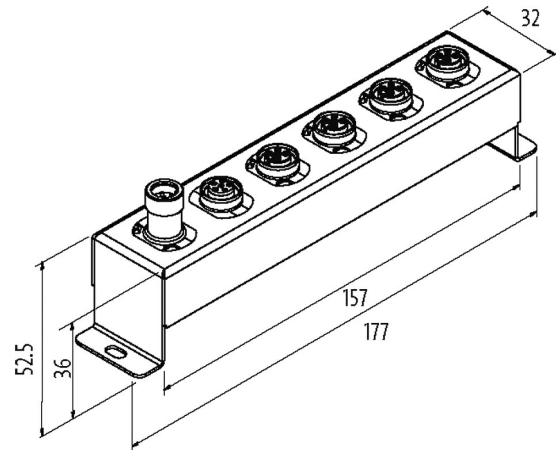
Connection cables are in the online shop under "Connection Technology".

Housing fully potted.

Connection cable: F&B, F&B Pro, Steel

### Link to Product

#### Illustration



Product may differ from Image



#### General data

Mounting method	2-hole screw mounting
Temperature range	0...+55 °C (storage temperature -20...+75 °C)
Protection	IP69K
Dimensions H×W×D	151×30×34.5 mm

#### Output

Lamp load	10 W
Actuator supply UA	24 V DC (EN 61131-2), via system connection (max. 4 A)
Switching current per output	max. 0.5 A (short-circuit and overload protected)

#### Input

Sensor supply US	24 V DC (EN 61131-2), max. 200 mA (M12 female), short-circuit and overload protected
Type	for 3-wire sensors or mechanical switches, PNP
Input filter	1 ms

#### Internal communication

LED display	US: sensor supply and internal supply voltage (green: OK); UA: actuator supply (green: OK)
Current consumption	max. 50 mA

#### Parameterization

The information in this brochure has been compiled with the utmost care.

Liability for the correctness completeness and topicality of the information is restricted to gross negligence. Version: 03/22

PIN 4	Input/Output
PIN 2	Input/Output/Diagnostic
<b>Connections</b>	
Fieldbus	via internal system connection
Sensor-system/actuator supply	via internal system connection (max. 2× 4 A)
I/O ports	M12 (female) 5-pole, A-coded
<b>Diagnostic</b>	
Communication status	via LED
Diagnostic via LED	per module and channel
Diagnostic via BUS	per module and channel
Actuator warning	per channel via LED and BUS
Monitoring - under voltage	yes
Monitoring - no voltage	yes
Short-circuit and overload	yes
<b>Commercial data</b>	
country of origin	DE
customs tariff number	85389099
EAN	4048879697309
eClass	27242604
Packaging unit	1.000