

M12 male 90° / M12 female 90° A-cod.

TPE 8x22AWG ye UL/CSA. ITC/PLTC 0.3m

USA

Male 90° – female 90°

M12 – M12, 8-pole

without cable sleeves

Cable is approved for 300 V

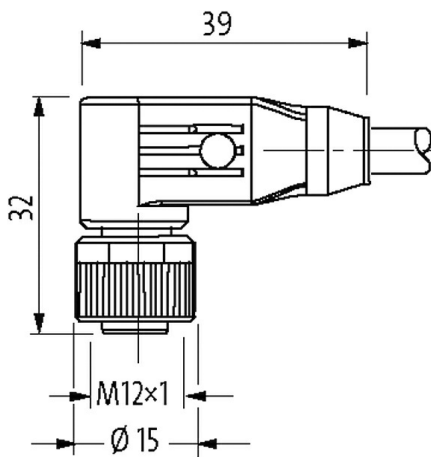
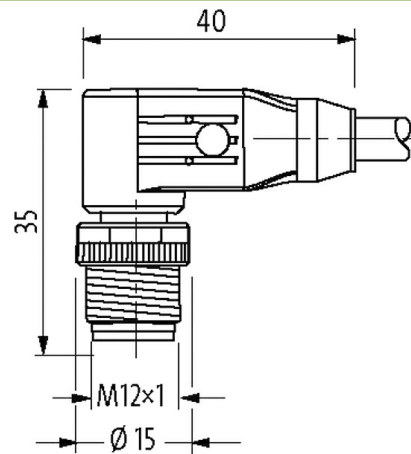
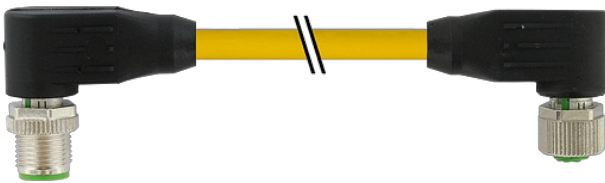
Plastic housings with good resistance against chemicals and oils.

The resistance to aggressive media should be individually tested for your application. Further details on request.

Further cable lengths on request.

Link to Product

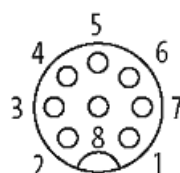
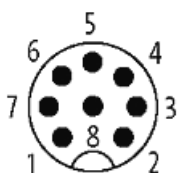
Illustration



| | | |
|---|--------|-----|
| 1 | white | C 1 |
| 2 | brown | C 2 |
| 3 | green | C 3 |
| 4 | yellow | C 4 |
| 5 | gray | C 5 |
| 6 | pink | C 6 |
| 7 | blue | C 7 |
| 8 | red | C 8 |

Male

Female



Product may differ from Image



* only for products with UL/CSA approved cable

| Form | |
|---|--|
| Form | 48021 |
| Technical Data | |
| Operating voltage | max. 30 V AC/DC |
| Operating voltage (only UL listed) | max. 30 V AC/DC |
| Rated surge voltage | 0.8 kV |
| Operating current per contact | max. 2 A |
| Material group | IEC 60664-1, category I |
| Coding | A-coded |
| Locking of ports | Screw thread (M12×1 mm) recommended torque 0.6 Nm, self-securing |
| Compression gland | M12 (SW13) |
| Protection | IP65 and IP67 when plugged and screwed down (EN 60529) |
| Locking material | Zinc die casting, matte nickel plated |
| Material | PUR |
| suitable for corrugated tube (internal Ø) | without |
| General data | |
| Standards | DIN EN 61076-2-101 (M12) |
| Mounting method | inserted, tightened |
| Pollution Degree | 3 |
| Temperature range | -25...+85 °C, depending on cable quality |
| Cables | |
| Cable identification | U0H |
| Approval (cable) | UL (AWM-Style 20626/1731), CSA; CE conform |
| Cable weight [g/m] | 70,40 |
| Material (wire) | Cu wire, bare |
| Resistor (core) | max. 46.9 Ω/km (20 °C) |
| Single wire Ø (core) | 0.16 mm |
| Construction (core) | 19× 0.16 mm (multi-strand wire class 5) |
| Diameter (core) | 1× 8× AWG22/19 (0.382) |
| Material (wire isolation) | semi-rigid PVC |
| Wire-Ø incl. isolation | 1.27m ±5% |
| Color/numbering of wires | br, wh, rd, bl, pk, gr, ye, gn |
| Stranding combination | 8 wires twisted around central filler |
| Material (jacket) | TPE |
| Outer-Ø (jacket) | 6.7 mm ±5% |
| Color (jacket) | yellow |
| chemical resistance | good resistance to oil, gasoline and chemicals |
| thermal resistance | flame retardant |
| Nominal voltage | 300 V AC |
| Test voltage | 2000 V AC |
| Current load capacity | to DIN VDE 0298-4 |
| Temperature range (fixed) | -40...+105 °C |
| Temperature range (mobile) | -20...+90 °C |
| Bend radius (fixed) | 5× outer Ø |
| Bend radius (moving) | 10× outer Ø |
| No. of bending cycles (C-track) | max. 10 Mio. (25 °C) |
| Torsion stress | ±180°/m |

Jacket Color yellow

Commercial data

| | |
|-----------------------|---------------|
| country of origin | DE |
| customs tariff number | 85444290 |
| EAN | 4048879761888 |
| eClass | 27279218 |
| Packaging unit | 1 |