

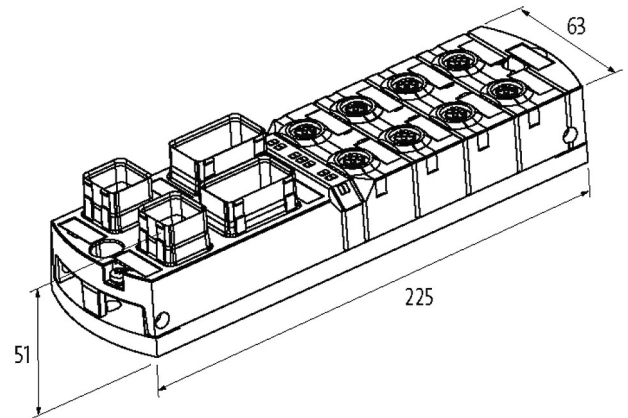
MVK Fusion

MVK PN FDI6/3 FDO2/1 DIO4 IOL2 IRT PP

safe inputs/outputs up to cat.4/PLe (EN ISO 13849-1), up to SIL3 (IEC 61508), up to SILCL3 (IEC 62061)
 Double safety output port
 FDI6/3 FDO2/1 DIO4 IOL2 (IRT)
 Ethernet 10/100 Mbit/s; Push Pull RJ45 Data connector
 Push Pull Power connector, max. 16 A
 M12, 5-pole, A-coded
 Galvanic isolation
 Connection cables are in the online shop under "Connection Technology".
 Housing fully potted.

Link to Product

Illustration



Product may differ from Image



General data

Mounting method	2-hole screw mounting
Temperature range	-20...+60 °C (storage temperature -40...+85 °C)
Protection	IP67
Dimensions H×W×D	51.2×63×225 mm

Output

Actuator supply UA	24 V DC (EN 61131-2), max. 8 A
Switching current per output	max. 2 A (short-circuit and overload protected)

Input

Sensor supply US	24 V DC (EN 61131-2), max. 700 mA (M12 female), short-circuit and overload protected
Type	for 3-wire sensors or mechanical switches, PNP, IO-Link Devices

IO-Link

Specification	IO-Link Master V1.1.2
Port Class	1× Class A; 1× Class B (galvanically separated)
IO-Link	2× Master
Transfer parameters	32 Byte (In) 32 Byte (Out) per IO-Link port
Operating modes	COM1; COM2; COM3 (automatic)

Parameterization

The information in this brochure has been compiled with the utmost care.
 Liability for the correctness completeness and topicality of the information is restricted to gross negligence. Version: 03/22

PIN 4	Input/Output (port X4, X5); Input (port X6, X7)
-------	---

PIN 2	Input/Output (port X4, X5); Input (port X6)
-------	---

Connections

Fieldbus	Ethernet 10/100 Mbit/s; Push Pull RJ45 Data connector
----------	---

Sensor-system/actuator supply	Push Pull Power connector, max. 16 A
-------------------------------	--------------------------------------

I/O ports	M12, 5-pole, A-coded
-----------	----------------------

PROFINET

Specification	V2.3, Conformance Class C (IRT)
---------------	---------------------------------

Addressing	DCP
------------	-----

PROFINET Netload Class	III
------------------------	-----

MRP	yes
-----	-----

Shared Device	yes, for 2 controls
---------------	---------------------

Diagnostic

Communication status	via LED
----------------------	---------

Diagnostic via LED	per module and channel
--------------------	------------------------

Diagnostic via BUS	per module and channel
--------------------	------------------------

Actuator warning	per channel via LED and BUS
------------------	-----------------------------

Monitoring - under voltage	yes
----------------------------	-----

Monitoring - no voltage	yes
-------------------------	-----

Short-circuit and overload	yes
----------------------------	-----

Cross-link detection	Sensor/Actuator
----------------------	-----------------

Wire break detection	yes
----------------------	-----

Commercial data

country of origin	DE
-------------------	----

customs tariff number	85389099
-----------------------	----------

EAN	4048879714983
-----	---------------

Packaging unit	1.000
----------------	-------