

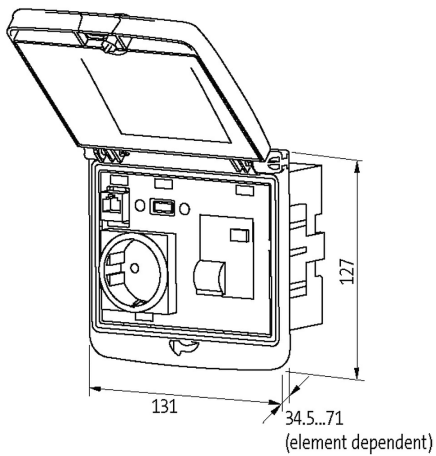
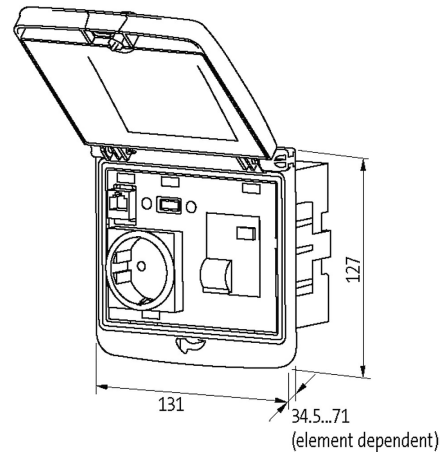
MODLINK MSDD FRAME DBL METALIC

Closure Daimler

Frame: plastic PA black

Lid: plastic, ABS gray

Closure: Daimler

[Link to Product](#)**Illustration**

Product may differ from Image

Frame

suitable for mounting with wall thickness 1...5 mm

Protection IP65

Temperature range -30...+70 °C (storage temperature -30...+80 °C)

Housing Frame: plastic PA black, cap: plastic ABS metallic

General data

Dimensions H×W×D 127×131×43 mm

Commercial data

country of origin DE

customs tariff number 85389099

EAN 4048879388740

| | |
|----------------|----------|
| eClass | 27144001 |
| Packaging unit | 1.000 |
