

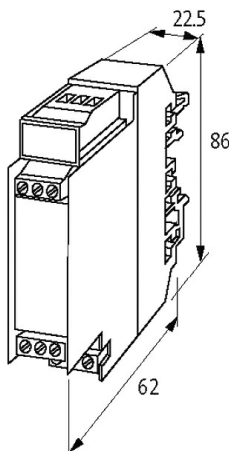
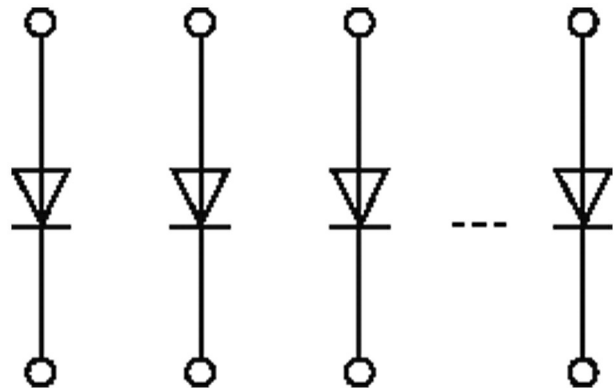
MKS - D 6/1300 - 1 DIODE MODULES

Mounting rail / screw-type terminal

Universal diode 1 300 V, 1 A

6 diodes

separation contact via pluggable jumpers

[Link to Product](#)**Illustration**

Product may differ from Image

Technical Data

Operating voltage	max. 48 V AC/DC
-------------------	-----------------

General data

Mounting method	DIN-rail mountable TH35 or G32 (EN 60715)
Temperature range	-20...+60 °C
Connection	Screw terminals: max. 4 mm ²
Dimensions H×W×D	86×22.5×62 mm

Description

Functional description	Diode modules are suitable for the suppression of inductive loads (valve, contactor, etc.)
------------------------	--

Commercial data

country of origin	CZ
-------------------	----

customs tariff number	85411000
EAN	4048879041904
eClass	27371010
Packaging unit	1.000