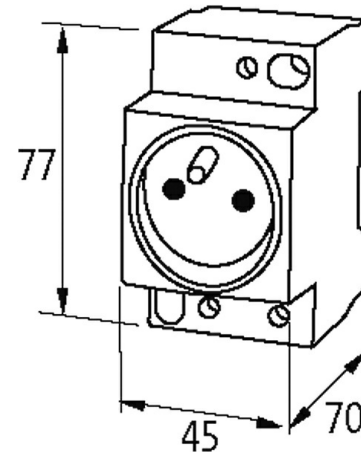


MSVD POWER SOCKET UTE

Mounting rail

France (UTE-NF) white

Screw terminals

[Link to Product](#)**Illustration**

Product may differ from Image

General data

Dimensions H×W×D 77×45×70 mm

France (UTE-NF)

Operating voltage 250 V AC

Operating current 16 A

Connection Screw terminals: max. 2× 6 mm² (AWG 10)

Mounting method DIN-rail mountable (EN 60715)

Commercial data

country of origin BE

customs tariff number 85366990

EAN 4048879041423

eClass 27189217

Packaging unit 1