

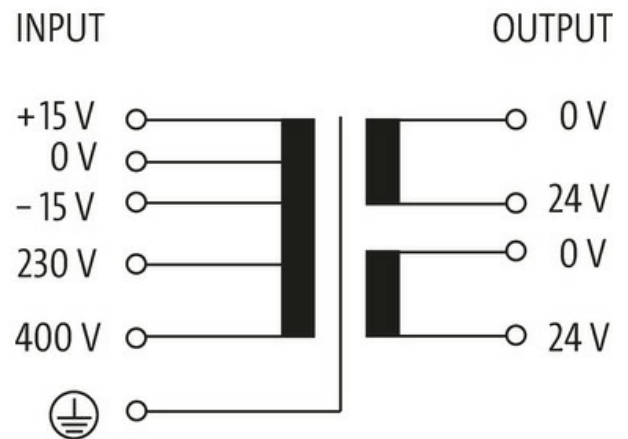
MTL 1-PHASE SAFETY TRANSFORMER

P: 400VA IN: 230/400VAC +/- 15VAC OUT: 2x24VAC

Single-phase safety transformer
400 VA
Spring clamp terminals
Isolation class T 60/B

[Link to Product](#)

Illustration



Product may differ from Image



General data

Standards	EN 61558-2-4, EN 61558-2-6, EN 62041 category 0
Mounting method	DIN-rail mountable TH35-15 (EN 60715) or for key-hole mounting
Temperature range	-20...+60 °C (storage temperature -40...+80 °C)
Test isolation voltage	5.1 kV (prim./sec.)
Drill hole Ø	7×11 mm
Fixing centers a×b×c	90.6×122×7 mm

The information in this brochure has been compiled with the utmost care.
Liability for the correctness completeness and topicality of the information is restricted to gross negligence. Version: 03/22

Dimensions H×W×D 112.5×150×160 mm

Output

Output voltage 1 × 24/1 × 48/2 × 24 V AC

Output rating 400 VA

Input

Input voltage 230/400 ±15 V AC

Inrush current 32.2 A (230 V AC); 18.58 A (400 V AC)

Short-circuit current 61.9 A (230 V AC); 35.7 A (400 V AC)

Input current 2.04 A (230 V AC); 1.18 A (400 V AC)

Frequency 50...60 Hz

Commercial data

country of origin CZ

customs tariff number 85043180

EAN 4048879065924

eClass 27031302

Packaging unit 1.000