

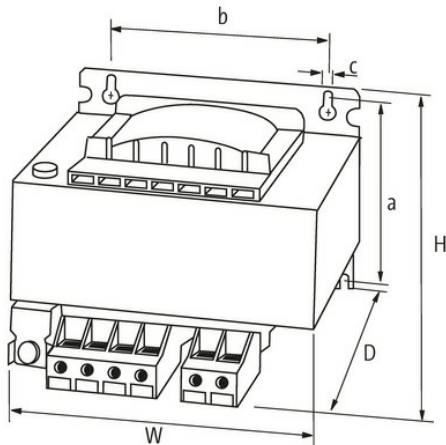
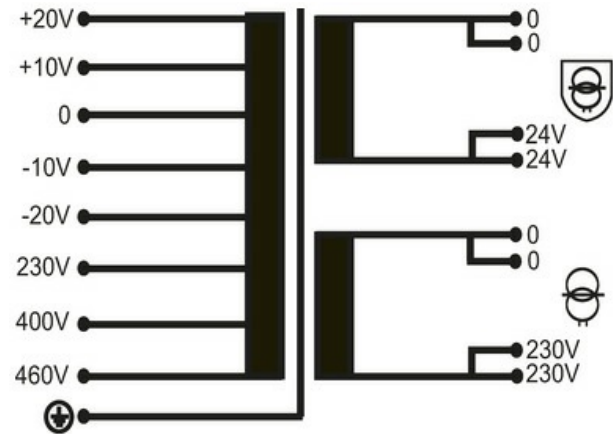
MST SINGLE-PHASE CONTROL AND ISOLATION TRANSFORMER

P:415VA IN:230/400/460VAC±10VAC±20VAC OUT:24/230VAC

Single-phase - Control and Isolation Transformers
415 VA
Isolation class T 40/B
Other voltages on request.

[Link to Product](#)

Illustration



Product may differ from Image



General data

Standards	EN 61558-1, EN 61558-2-6, EN 62041 category 0
Mounting method	Key-hole mounting
Temperature range	-20...+40 °C (storage temperature -40...+80 °C)
Test isolation voltage	4 kV (prim./sec.)
Drill hole Ø	7×11 mm
Fixing centers a×b×c	105.6×122×7 mm

The information in this brochure has been compiled with the utmost care.
Liability for the correctness completeness and topicality of the information is restricted to gross negligence. Version: 03/22

Murrelektronik Ltd. | 5 Albion Street, Pendlebury Industrial Estate, Swinton | Manchester M27 4FG | Fon +44 161 728 3133 | Fax +44 161 728 3130 | shop@murrelektronik.co.uk | shop.murrelektronik.co.uk

Dimensions H×W×D 112.5×150×150 mm

Output

Output voltage 24/230 V AC (SELV)

Output rating 415 VA

Input

Input voltage 230/400/460 V AC

Inrush current 10 A (230 V AC); 5 A (460 V AC)

Short-circuit current 29 A (230 V AC); 15 A (460 V AC)

Input current 2.1 A (230 V AC); 1 A (460 V AC)

Frequency 50...60 Hz

Commercial data

country of origin CZ

customs tariff number 85043180

EAN 4048879340748

eClass 27031202

Packaging unit 1.000