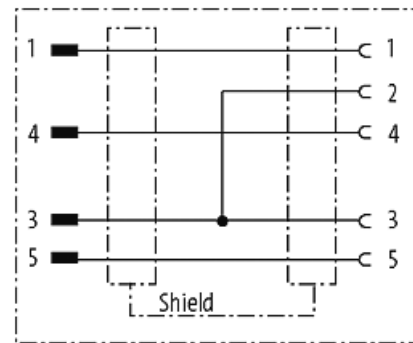
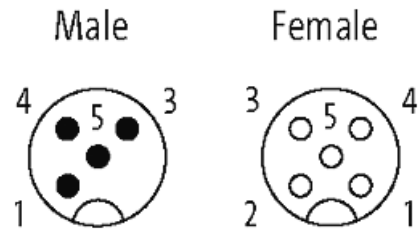
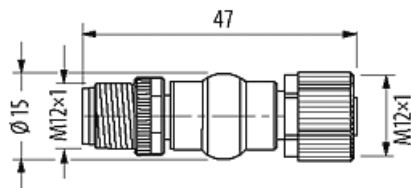


ADAPTOR M12 MALE 5 POLE/ M12 FEMALE 4 POLE SHIELDED

Adapter
Male - female
M12 – M12, 5-pole
shielded

[Link to Product](#)

Illustration



Product may differ from Image



Form

Form 42265

Technical Data

Operating voltage	max. 60 V AC/DC
Operating voltage (only UL listed)	max. 30 V AC/DC
Operating current per contact	max. 4 A
Locking of ports	Screw thread (M12x1 mm) recommended torque 0.6 Nm, self-securing
Protection	IP67 inserted and tightened (EN 60529)
Locking material	Zinc die casting, matte nickel plated
Material	PUR

General data

Temperature range	-25...+85 °C
Test isolation voltage	0.8 kV eff/rms

Commercial data

country of origin	DE
customs tariff number	85366990
EAN	4048879342605
eClass	27143423
Packaging unit	1