

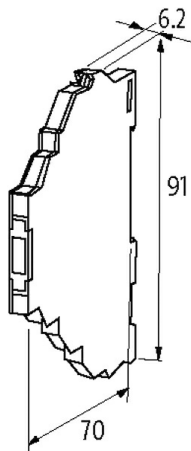
**MIRO 6.2 MULTI-TIMER RELAY FK**

IN: 24 VDC - OUT: 250 VAC/DC / 6A

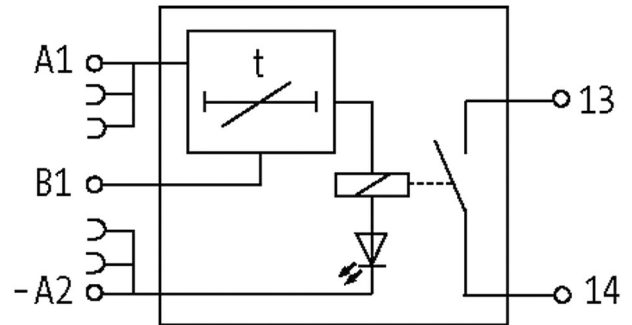
Relay output

Impulse expansion: 100 ms...100 s

Spring clamp terminals

[Link to Product](#)**Illustration**

Product may differ from Image

**General data**

Mounting method	DIN-rail mountable (EN 60715)
Temperature range	-20...+60 °C
Test isolation voltage	4 kV; safe separation (VDE 0106 / VDE 0160)
Mech./ elect. life	20 000 000 switching cycles/load dependent
Dimensions HxWxD	91x6.2x70 mm

**Output**

Min. load current	10 mA
Contact material	Ag Sn O2
Energize/release/contact bounce time	19/15/1.5 ms
Switching voltage	max. 250 V AC/DC
Switching frequency	max. 5 Hz

Switching current per output max. 6 A

**Input**

Input voltage 18...30 V DC  
Control voltage 18...30 V DC

**Utilization category**

AC-15 3 A (24/110/230 V AC)  
AC-12 6 A (24/110/230 V AC)  
DC-13 1 A (24 V DC); 0.2 A (110 V DC); 0.1 A (230 V DC)

**Commercial data**

country of origin CZ  
customs tariff number 85364900  
EAN 4048879021210  
eClass 27210990  
Packaging unit 1.000