

CAP FOR D-BOX M12 8-WAY 5-POLE

No pot.-sep. 15m PUR UL/CSA, 16x0,5+3x1,0

for 8-way distribution boxes, 5-pole

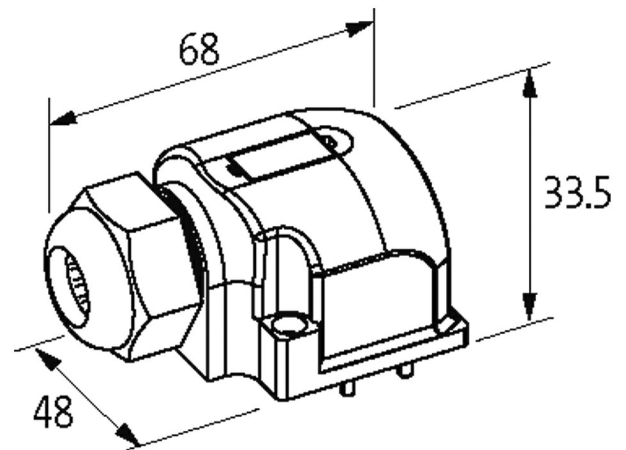
Further cable lengths on request.

Plastic housings with good resistance against chemicals and oils.

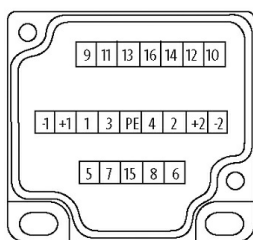
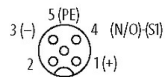
The resistance to aggressive media should be individually tested for your application. Further details on request.
15.0 m

[Link to Product](#)

Illustration



M12-Females 5-pole



for 2 signals per port

Product may differ from Image

Technical Data

| | |
|---------------|--------------------------|
| Housing | Plastic, flame retardant |
| Total current | max. 8 A |

General data

| | |
|-------------------|------------------------------------------|
| Temperature range | -20...+80 °C, depending on cable quality |
|-------------------|------------------------------------------|

Cables

| | |
|-----------------------|-----------------------------------------------------------------------------------------------------|
| Cable number | 452 |
| No./diameter of wires | 16× 0.5 + 3× 1.0 mm ² |
| Wire isolation | TPE (grp, wh, rd, bl, gn, whgn, ye, brgn, gr, whye, pk, yebr, rd, whgr, bk, grbr, vi, br, bl, gnye) |
| C-track properties | 5 Mio. |

| | |
|---------------------------------|----------------------------------------------------------------------------------------------------|
| Jacket Color | gray |
| Material (jacket) | PUR (UL/CSA) |
| Outer Ø | 11.5 mm ±5% |
| Bend radius (moving) | 10× outer Ø |
| Temperature range (fixed) | -40...+80 °C |
| Temperature range (mobile) | -5...+80 °C |
| Cable identification | 452 |
| Approval (cable) | UL (AWM-Style 20233), CSA |
| Cable weight [g/m] | 231,0 |
| Material (wire) | Cu wire, bare |
| Resistor (core) | max. 39 Ω/km (0.5 mm ²); max. 20 Ω/km (1.0 mm ²); (20 °C) |
| Single wire Ø (core) | 0.1 mm |
| Construction (core) | 64× 0.1 mm (0.5 mm ²), 128× 0.1 mm (1.0 mm ²); (multi-strand wire class 6) |
| Diameter (core) | 16× 0.5 + 3× 1.0 mm ² |
| AWG | similar to AWG 20 (0.5 mm ²); similar to AWG 17 (1.0 mm ²) |
| Material (wire isolation) | TPE-E |
| Shore hardness (wire isolation) | 55 ±3 D |
| Wire-Ø incl. isolation | 1.6 mm ±5% (0.5 mm ²); 2.1 mm ±5% (1.0 mm ²) |
| Material (jacket) | PUR |
| Outer-Ø (jacket) | 11.6 mm ±5% |
| Color (jacket) | gray |
| chemical resistance | good resistance to oil, gasoline and chemicals |
| Nominal voltage | 300/300 V AC |
| Test voltage | 2000 V AC |
| Bend radius (moving) | 10× outer Ø |
| No. of bending cycles (C-track) | max. 5 Mio. |
| Travel speed (C-track) | max. 2 m/s |
| Commercial data | |
| country of origin | CZ |
| customs tariff number | 85444290 |
| EAN | 4048879053716 |
| eClass | 27143423 |
| Packaging unit | 1 |