

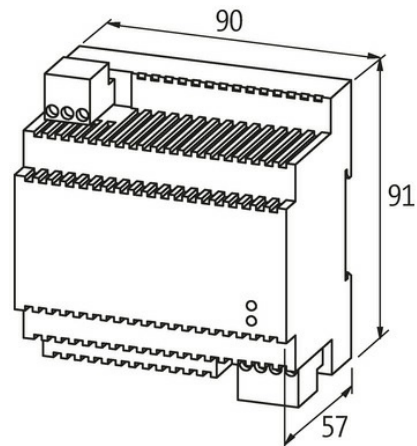
Discontinued since 27 April 2020

Last order 30 November 2020

INPUT: 100...240 V AC; 120...370 V DC

OUTPUT: 12...15 V DC

Current: 6 A

Screw terminal: 0.14...1.5 mm²[Link to Product](#)**Illustration**

Product may differ from Image

**General data**

Standards	IEC 61010-2-201, EN 61204-3, EN 55022 B, EN 61000-3-2
Mounting method	DIN-rail mountable TH35 (EN 60715)
Temperature range	0...+50 °C, ...+60 °C derating (storage temperature -25...+85 °C)
Relative humidity	20...90%, no condensation
Protection	IP20
Efficiency	86% (110 V AC); 88% (230 V AC)

Output

Output voltage	12 V DC (SELV), ±1%; 12...15 V adjustable
LED display	LED (green) for output voltage
Output current	6 A (+50 °C); 0.6 A (+70 °C)
Mains failure bridging time	10...25 ms (115 V AC)
Ripple	max. 20 mV eff/rms
Spikes	max. 100 mV ss/pp
Unit protection	short-circuit and overload protected
Parallel usage/serial usage	max. 5 units/max. 2 units

Input

Input voltage	100...240 V AC/120...370 V DC
Primary fusing external	max. 10 A
Input current	1.3 A (115 V AC); 0.75 A (230 V AC)
Inrush current after 1 ms	max. 60 A

Frequency 50...60 Hz

Commercial data

country of origin	CN
customs tariff number	85044090
EAN	4048879299954
eClass	27049002
Packaging unit	1.000