

M12 female 0° field-wireable C-Cod.

Female straight

M12, 3-pole

Screw terminals

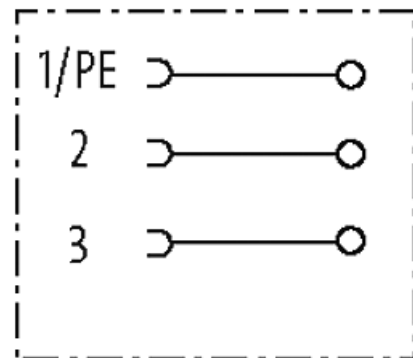
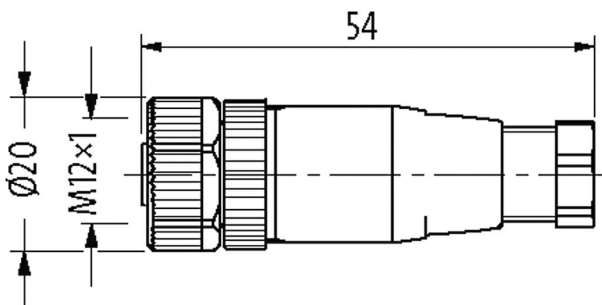
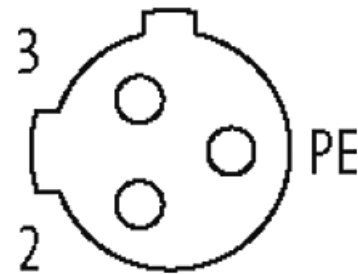
Sealing range (cable Ø): 4...6 mm

Plastic housings with good resistance against chemicals and oils.

The resistance to aggressive media should be individually tested for your application. Further details on request.

[Link to Product](#)**Illustration**

Female



Product may differ from Image

Form

Form 20141

Technical Data

Operating voltage	max. 250 V AC/DC
Rated surge voltage	2.5 kV
Operating current per contact	max. 4 A
Material group	IEC 60664-1, category II
Connection cross section	max. 0.75 mm ²
Coding	M12, C-coded
Sealing range (cable Ø)	4...6 mm
Locking of ports	Screw thread (M12×1 mm) recommended torque 0.6 Nm, self-securing
Protection	IP67 inserted and tightened (EN 60529)

General data

Dimensions H×W×D	55×20×20 mm
Temperature range	-25...+85 °C

Commercial data

country of origin	DE
customs tariff number	85366990
EAN	4048879641968
eClass	27279221
Packaging unit	1