

MB CAP ULTRA BUFFER MODULE

IN: 12/24VDC OUT:12/24VDC/10A for max.1A/380S

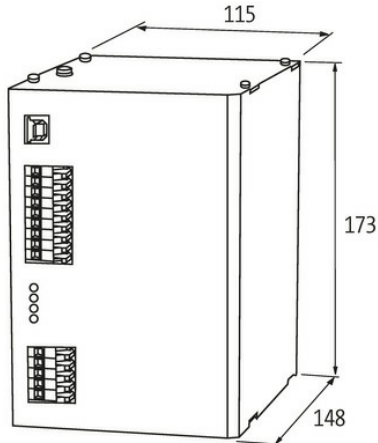
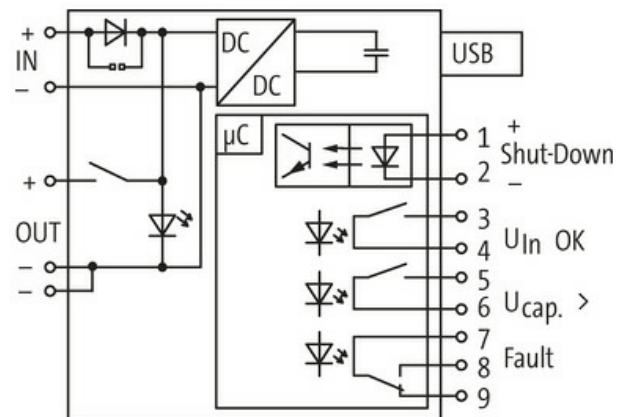
INPUT: 24 V DC (SELV/PELV)

OUTPUT: max. 10 A

38 s (10 A); 380 s (1 A)

Link to Product

Illustration



Product may differ from Image



General data

Standards	EN 60950, EN 50178, SELV/PELV
Mounting method	DIN-rail mountable TH35-7.5/TH35-15 (EN 60715)
Temperature range	-20...+60 °C (storage temperature -20...+60 °C)
Efficiency	90%

Output

Output voltage	11.3 V DC ±4%; 23.3 V DC ±2%
----------------	------------------------------

Buffer time	38 s (10 A); 380 s (1 A)
Output current	max. 10 A (+60 °C)

Input

Input voltage	10.5...15 V DC; 24...27 V DC
Inrush current	max. 35 A/2 ms
Loading time	typ. 100 s; max. 210 s
Input current	10 A

Commercial data

country of origin	DE
customs tariff number	85322900
EAN	4048879079785
eClass	27049190
Packaging unit	1.000