

MVP12, 4XM12, 5POLE, PLUG. CAP SPT

Plug. cap, field-wireable via spring terminals

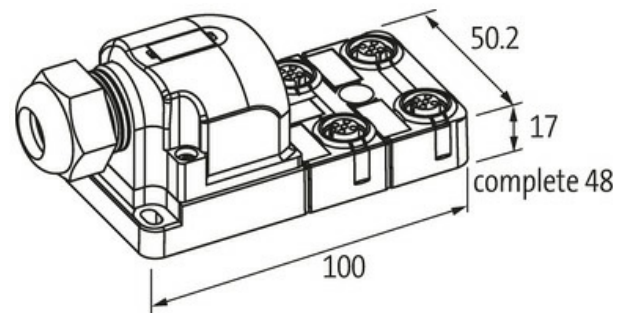
4-way, 5-pole

Spring clamp plug-in terminals

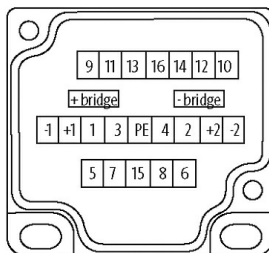
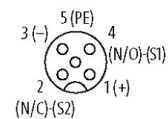
Potential separation as option

Plastic housings with good resistance against chemicals and oils.

The resistance to aggressive media should be individually tested for your application. Further details on request.

[Link to Product](#)**Illustration**

M12 Females 5-pole



for 2 signals per port

Product may differ from Image

**Technical Data**

Operating voltage	24 V DC
Operating current per contact	max. 4 A
Locking of ports	Screw thread (M12×1 mm)
Connection	Spring clamp plug-in terminals: max. 1.5 mm ² (AWG 16)
Protection	IP67 inserted and tightened (EN 60529)
Housing	Plastic, flame retardant
Signal per port	2

Total current max. 2× 8 A

General data

Temperature range -20...+80 °C
Dimensions H×W×D 100×50.2×17 mm

Contact Layout

PIN 1 (+)
PIN 2 (NC)/(S2)
PIN 3 (-)
PIN 4 (NO)/(S1)
PIN 5 (Earth)
LED (green): Power / LED (yellow): (S1/S2)

Commercial data

country of origin DE
customs tariff number 85369010
EAN 4048879063364
eClass 27279219
Packaging unit 1.000