

CAP FOR D-BOX M12 6-WAY 5-POLE

Pot.-sep. 10m PUR/PVC-JB, 12x0,34+5x0,75

for 6-way distribution boxes, 5-pole

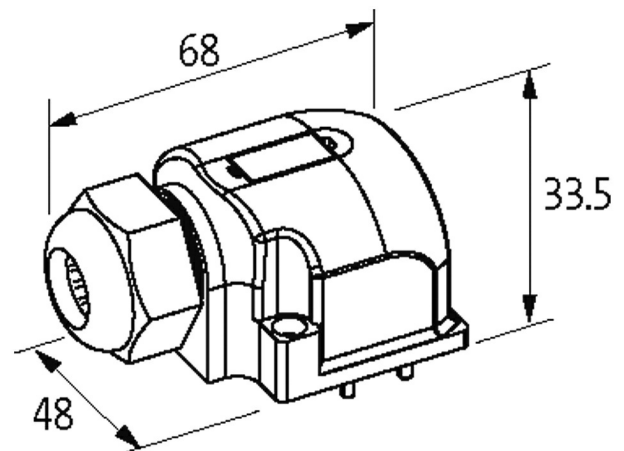
PUR/PVC

10.0 m

potentially separated

New Art.-No. 8000-86659-3921000

Plastic housings with good resistance against chemicals and oils.

[Link to Product](#)**Illustration**

Product may differ from Image

**Technical Data**

Total current max. 2x 8 A

General data

Dimensions HxWxD 33x48x68 mm

Cables

Cable number 392

No./diameter of wires 12x 0.34 + 3x 0.75 mm²

Construction (core) PVC

Wire isolation PVC (yebr, rd, grpk, wh, rdbl, gn, whgn, ye, brgn, gr, whye, pk, br, br, bl, bl, gnye)

C-track properties 1.5 Mio.

Jacket Color gray

Material (jacket) PUR/PVC

Outer Ø 10.0 mm ±5%

Bend radius (fixed) 7.5x outer Ø

Bend radius (moving) 12x outer Ø

Temperature range (fixed) -30...+80 °C

Temperature range (mobile) -5...+60 °C

Commercial data

country of origin CZ

customs tariff number	85444290
EAN	4048879058131
eClass	27143423
Packaging unit	1