

**EXACT12, 4XM12, 5-POLE, PLUG. CAP**

Spring terminals, field-wireable

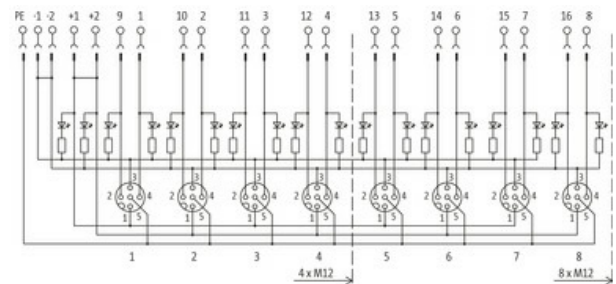
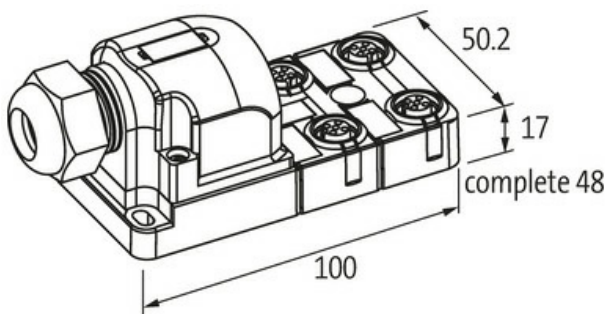
4-way, 5-pole

Form PNP

Spring clamp plug-in terminals

Plastic housings with good resistance against chemicals and oils.

The resistance to aggressive media should be individually tested for your application. Further details on request.

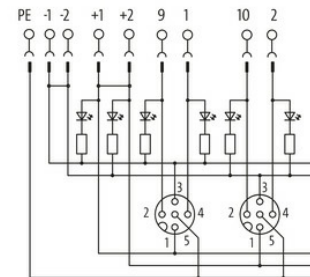
**Link to Product****Illustration**

M12-Females 5-pole

3(-) 5 (PE) 4 (N/O)(S1)  
2 (N/C)(S2) 1(+)

9 | 11 | 13 | 16 | 14 | 12 | 10

-1 | +1 | 1 | 3 | PE | 4 | 2 | +2 | -2



for 2 signals per port

Product may differ from Image

**Technical Data**

Operating voltage	24 V DC
Operating current per contact	max. 4 A
Connection	Spring clamp plug-in terminals: max. 1.5 mm <sup>2</sup> (AWG 16)
Protection	IP65/IP67
Housing	Plastic, flame retardant
Total current	max. 8 A

**General data**

The information in this brochure has been compiled with the utmost care.  
Liability for the correctness completeness and topicality of the information is restricted to gross negligence. Version: 03/22

Murrelektronik Ltd. | 5 Albion Street, Pendlebury Industrial Estate, Swinton | Manchester M27 4FG | Fon +44 161 728 3133 | Fax +44 161 728 3130 | shop@murrelektronik.co.uk | shop.murrelektronik.co.uk

Temperature range -20...+70 °C

**Contact Layout**

PIN 1 (+)

PIN 2 (NC)/(S2)

PIN 3 (-)

PIN 4 (NO)/(S1)

PIN 5 (Earth)

LED (green): Power / LED (yellow): (S1) / LED (white): Signal (S2)

**Commercial data**

country of origin DE

customs tariff number 85369010

EAN 4048879055642

eClass 27279219

Packaging unit 1.000