

Valve plug MJC 90° with cable LED+VDR

PUR 2x0.5 bk drag ch. 10m

Female 90°

10...24 V AC/30 V DC

LED and VDR

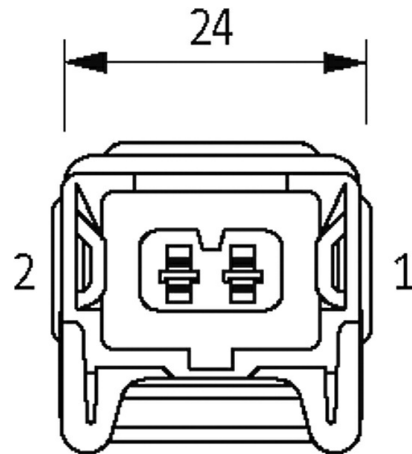
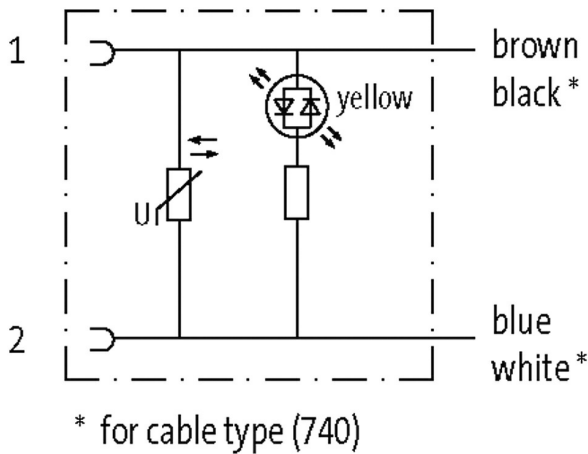
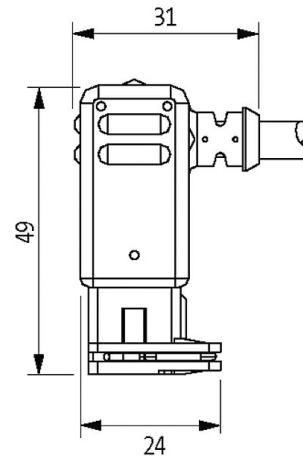
Plastic housings with good resistance against chemicals and oils.

The resistance to aggressive media should be individually tested for your application. Further details on request.

Further cable lengths on request.

Link to Product

Illustration



Product may differ from Image

Form

Form 70361

Technical Data

Operating voltage	10...24 V AC/30 V DC
Rated surge voltage	0.8 kV
Operating current per contact	max. 4 A
Current consumption	approx. 12 mA
Material group	IEC 60664-1, category I
LED display	(yellow)
Protection	IP65 inserted and tightened (EN 60529)

The information in this brochure has been compiled with the utmost care. Liability for the correctness completeness and topicality of the information is restricted to gross negligence. Version: 03/22

Housing Black plastic, flame retardant

General data

Pollution Degree 3

Temperature range -25...+85 °C, depending on cable quality

Cables

No./diameter of wires 2× 0.5 mm²

Wire isolation TPE (bk, wh)

C-track properties 2 Mio.

Jacket Color black

Material (jacket) PUR

Outer Ø 5.0 mm ±5%

Bend radius (moving) 10× outer Ø

Temperature range (fixed) -50...+90 °C

Temperature range (mobile) -30...+90 °C

Cable identification 740

Approval (cable) CE conform

Cable weight [g/m] 36,30

Material (wire) Cu wire, bare

Resistor (core) max. 39 Ω/km (20 °C)

Single wire Ø (core) 0.1 mm

Construction (core) 64× 0.1 mm (multi-strand wire class 6)

Diameter (core) 2× 0.5 mm²

AWG similar to AWG 20

Material (wire isolation) TPE-E

Wire-Ø incl. isolation 1.5 mm ±5%

Color/numbering of wires bk, wh

Stranding combination 2 wires twisted

Shield no

Material (jacket) PUR

Outer-Ø (jacket) 5.0 mm ±5%

Color (jacket) black

Nominal voltage 300/500 V AC

Test voltage 2000 V AC

Temperature range (fixed) -50...+90 °C

Temperature range (mobile) -30...+90 °C

Bend radius (moving) 10× outer Ø

No. of bending cycles (C-track) max. 2 Mio. (25 °C)

Traversing distance (C-track) max. 5 m (horizontal)

Travel speed (C-track) max. 3.3 m/s

Acceleration (C-track) max. 5 m/s²

Commercial data

country of origin DE

customs tariff number 85444290

EAN 4048879286367

eClass 27279218

Packaging unit 1