

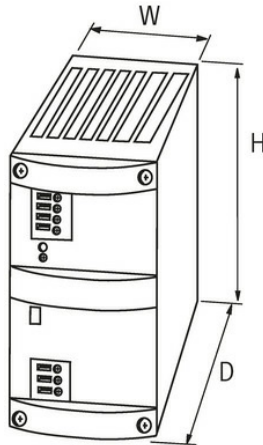
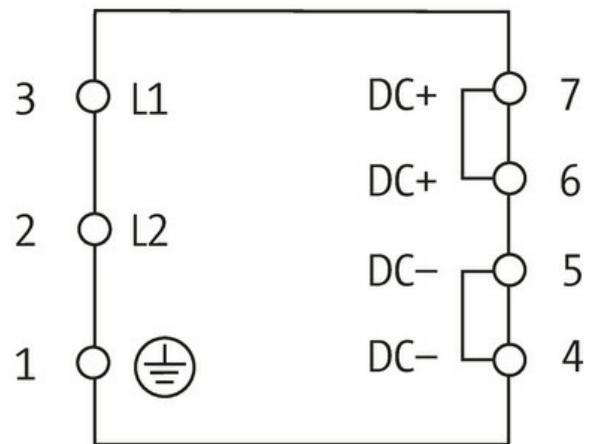
**MCS POWER SUPPLY 2-PHASE,**

IN: 340-460VAC OUT: 24-28V/10ADC

INPUT: 340...460 V AC

OUTPUT: 24...28 V DC

Current: 10 A

[Link to Product](#)**Illustration**

Product may differ from Image

**General data**

Standards	IEC 61010-2-201, EN 61204-3, EN 55022 B
Mounting method	DIN-rail mountable TH35 (EN 60715)
Temperature range	0...+60 °C (storage temperature -25...+85 °C)
Relative humidity	5...95%, no condensation
Efficiency	88%
Dimensions HxWxD	127x68x160 mm

**Output**

The information in this brochure has been compiled with the utmost care.  
Liability for the correctness completeness and topicality of the information is restricted to gross negligence. Version: 03/22

Output voltage	24 V DC (SELV), $\pm 1\%$ ; 24...28 V adjustable
LED display	LED (green) for output voltage
Selectable switch-off mode	front sided plug link (automatic re-start or definite shut-off)
Output current	10 A (+60 °C); 12 A (+40 °C)
Mains failure bridging time	min. 12 ms (400 V AC)
Ripple	max. 20 mV eff/rms
Spikes	max. 200 mV ss/pp
Unit protection	short-circuit and overload protected
Parallel usage/serial usage	Parallel circuit

#### Input

Input voltage	340...470 V AC
Primary fusing external	max. 10 A
Input current	1.6 A (400 V AC)
Inrush current after 1 ms	max. 22 A
Frequency	50...60 Hz

#### Commercial data

country of origin	CZ
customs tariff number	85044090
EAN	4048879076395
eClass	27049002
Packaging unit	1.000