

EMPARRO67 POWER SUPPLY 1-PHASE

with Class 2 (UL1310) and PELV

Emparro®67

INPUT: 90...265 V AC/90...372 V DC

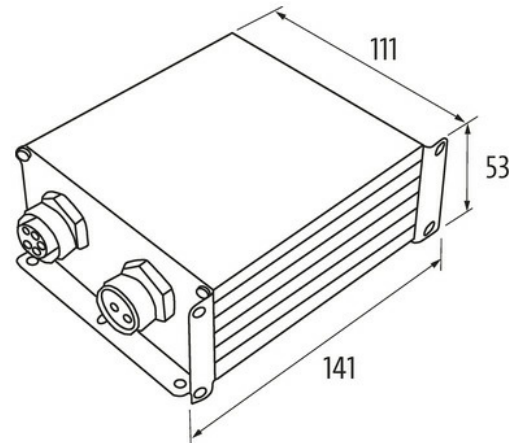
OUTPUT: 24 V DC (PELV), ±2%

Current: 3.8 A

NEC Class 2

Link to Product

Illustration



Product may differ from Image



General data

Standards	IEC 61010-2-201, EN 61204-3, EN 55011 B, EN 61000-3-2
Mounting method	6 hole screw mounting
Temperature range	-40...+85 °C, ...+60 °C derating (storage temperature -40...+85 °C)
Relative humidity	4...100%
Protection	IP67
Efficiency	91.4% (115 V AC); 92.1% (230 V AC)
Dimensions H×W×D	53×111×141 mm

Output

Output voltage	24 V DC (SELV), ±2%
LED display	LED (green): OK; LED (red): overload, overheating or short-circuit
Connection	7/8" (female), 4-pole
Output current	3.8 A
Mains failure bridging time	min. 80 ms (230 V AC); 3.8 A (24 V DC)
Ripple	max. 15 mV eff/rms
Spikes	max. 130 mV ss/pp
Unit protection	Short-circuit, overload and temperature

Input

Input voltage	90...265 V AC/90...372 V DC
Connection	7/8" (male), 3-pole
Input current	1.1 A (100 V AC); 0.5 A (240 V AC)

The information in this brochure has been compiled with the utmost care.

Liability for the correctness completeness and topicality of the information is restricted to gross negligence. Version: 03/22

Inrush current after 1 ms	max. 8.9 A (230 V AC)
Power factor	0.95 (230 V AC)
Frequency	50..60 Hz
Input fuse (internal)	6.3 A (T)

Commercial data

country of origin	CZ
customs tariff number	85044090
EAN	4048879799102
Packaging unit	1.000