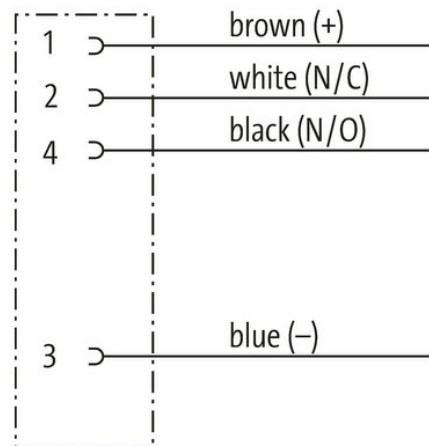
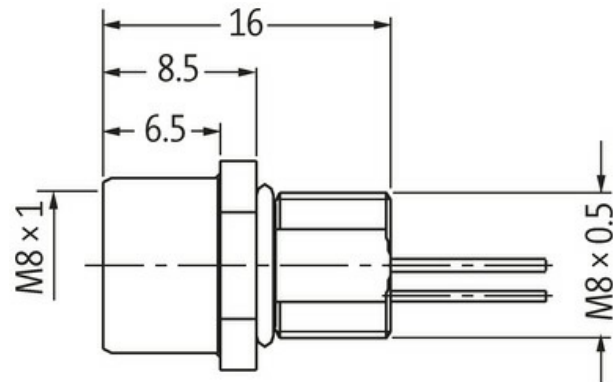
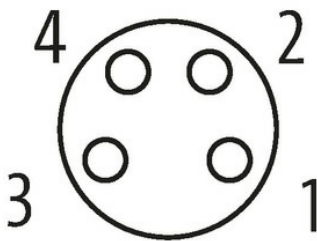


M8 female recept. A-cod. front incl. nut

PP-wires 4x0.25 0.5m

Flange female
M8, 4-pole
Front mounting
with multi-strand wire

[Link to Product](#)**Illustration****Female**

Product may differ from Image

**Form**

Form 08583

Technical Data

| | |
|-------------------------------|----------------------|
| Operating voltage | max. 50 V AC/60 V DC |
| Rated surge voltage | 1.5 kV |
| Operating current per contact | max. 4 A |

| | |
|-------------------|---|
| No. of poles | 4 |
| Material group | IEC 60664-1, category I |
| LED display | no |
| Locking of ports | Screw thread (M8×1 mm) recommended torque 0.4 Nm, self-securing |
| Compression gland | M8 (SW10) |
| Protection | IP67 inserted and tightened (EN 60529) |
| Protection NEMA | 3, 4, 6P (UL 50E) |

General data

| | |
|-------------------|--------------|
| Pollution Degree | 3 |
| Temperature range | -25...+85 °C |

Cables

| | |
|----------------------------|-------------------------|
| No./diameter of wires | 4× 0.25 mm ² |
| Wire isolation | PP (br, bk, bl, wh) |
| Outer Ø | 1.1 mm ±5% |
| Cable number | 969 |
| Temperature range (fixed) | -40...+90 °C |
| Temperature range (mobile) | -25...+90 °C |
| Bend radius (fixed) | 5× outer Ø |

Commercial data

| | |
|-----------------------|---------------|
| country of origin | DE |
| customs tariff number | 85444290 |
| EAN | 4048879508308 |
| eClass | 27279220 |
| Packaging unit | 1.000 |