

## M8 ADAPTOR ON REAR OF MSUD VALVE PLUG FORM B 10 MM

Form B (10 mm) – M8, connector at the rear

24 V AC/DC  $\pm 25\%$

LED

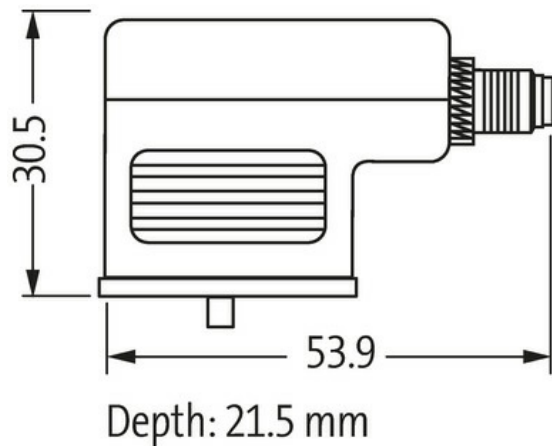
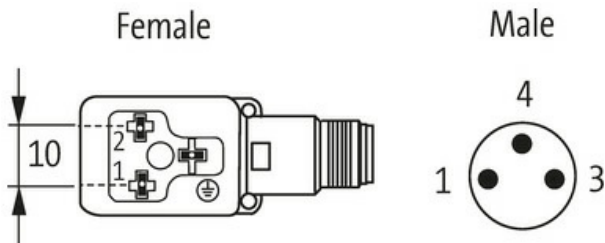
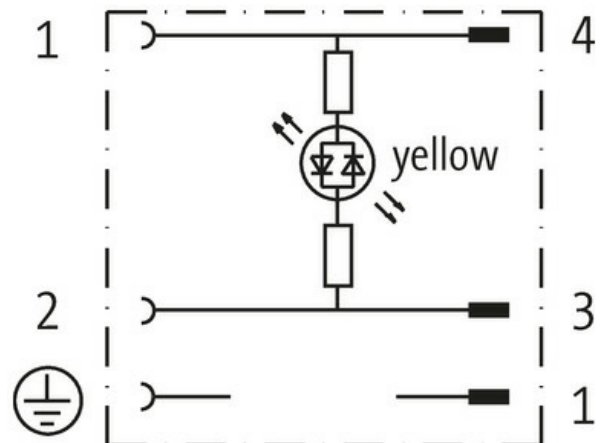
3-pole

Plastic housings with good resistance against chemicals and oils.

The resistance to aggressive media should be individually tested for your application. Further details on request.

### [Link to Product](#)

#### Illustration



Product may differ from Image



#### Form

Form 88933

#### Technical Data

Operating voltage 24 V AC/DC  $\pm 25\%$

Rated surge voltage 0.8 kV

Operating current per contact max. 4 A

Locking of ports	M3/M8 (recommended torque 0.4 Nm)
Protection	IP67 inserted and tightened (EN 60529)
Configuration	2 contacts + PE

**General data**

Temperature range	-25...+85 °C
-------------------	--------------

**Commercial data**

country of origin	CZ
customs tariff number	85366990
EAN	4048879115926
eClass	27143423
Packaging unit	1.000