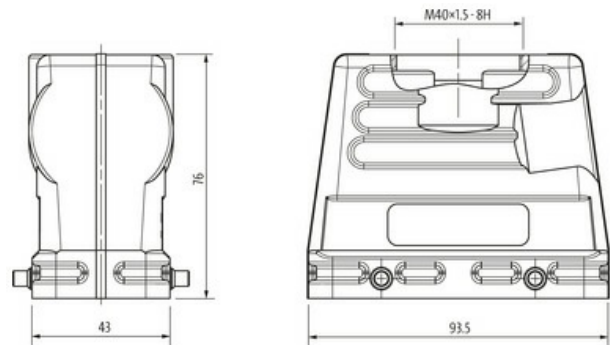


B16 Hood, high profile, IP65

Double locking lever, top entry M40

B16
Hood (high)
Double locking lever
IP65

Technical data will be only guaranteed with Murrelektronik components.

[Link to Product](#)**Illustration**

Product may differ from Image

Technical Data

Mating cycles	min. 500
Locking of ports	Double locking lever
Protection (housing)	IP65 inserted and tightened (EN 60529), with gland

General data

Temperature range	-40...+100 °C
Material (housing)	Aluminum die-cast
Housing type	Hood
Threaded hole	M40
Size	B16
Cable outlet	straight
Locking material	Steel (galvanized)
Climatic category	40/100/21 (EN 60068-1)
Material (housing surface)	powder-coated
Dimensions H×W×D	76×43×93.5 mm

Commercial data

country of origin	CZ
customs tariff number	85389099
EAN	4048879646611
eClass	27143424
Packaging unit	1.000