

**M12 male 0° / M12 female 0° A-cod. Lite**

PUR AWG24+22 shielded vt UL/CSA+drag ch. 3m

DeviceNet, CANopen

M12, 5-pole

Male straight – female straight

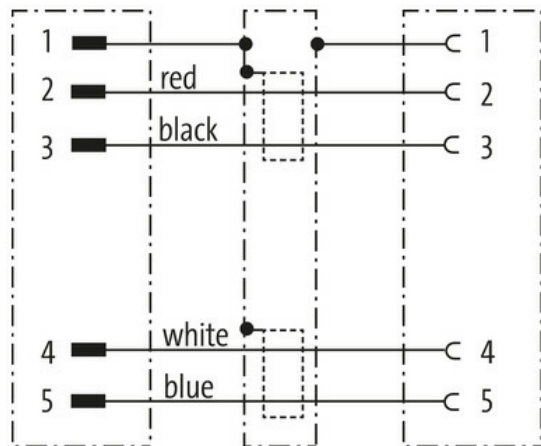
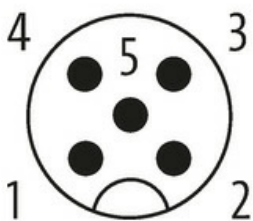
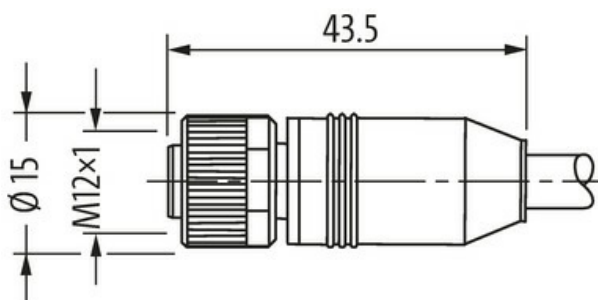
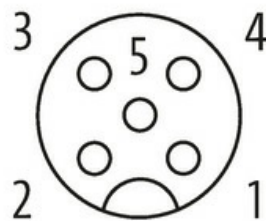
A-coded

7005 - plastic hexagonal screw (M12 Lite)

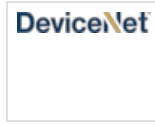
Plastic housings with good resistance against chemicals and oils.

The resistance to aggressive media should be individually tested for your application. Further details on request.

Further cable lengths on request.

[Link to Product](#)**Illustration****Male****Female**

Product may differ from Image



\* only for products with UL/CSA approved cable

| Form                                      |   |
|---|---|
| Form                                      | 40531   |
| Technical Data                            |   |
| Operating voltage                         | max. 60 V AC/DC   |
| Operating voltage (only UL listed)        | 30 V AC/DC  |
| Rated surge voltage                       | 1.5 kV  |
| Operating current per contact             | max. 4 A  |
| No. of poles                              | 5   |
| Transfer parameters                       | DeviceNet, CANopen  |
| Material group                            | IEC 60664-1, category I   |
| Coding                                    | A-coded   |
| LED display                               | no  |
| Locking of ports                          | Screw thread (M12×1 mm) recommended torque 0.6 Nm, self-securing                          |
| Compression gland                         | M12 (SW13)  |
| Protection                                | IP65 and IP67 when plugged and screwed down (EN 60529)                                    |
| Material                                  | PUR   |
| Locking material                          | PA  |
| suitable for corrugated tube (internal Ø) | without   |
| General data                              |   |
| Standards                                 | DIN EN 61076-2-101 (M12)  |
| Mounting method                           | inserted, tightened   |
| Material (contact)                        | Copper alloy  |
| Material (contact surface)                | Au  |
| Material (gasket)                         | FKM   |
| Pollution Degree                          | 3   |
| Temperature range                         | -25...+85 °C, depending on cable quality  |
| Cables                                    |   |
| Cable identification                      | 803   |
| Approval (cable)                          | cURus (AWM style 20549/10578); CE compliant   |
| Cable weight [g/m]                        | 63,12 g   |
| Material (wire)                           | Cu wire, tin plated   |
| Resistor (core)                           | max. 78 Ω/km (data pair, max. 54 Ω/km (power pair); (20 °C)                               |
| AWG                                       | similar to AWG 24 (0.25 mm <sup>2</sup> ); similar to AWG 22 (0.34 mm <sup>2</sup> )      |
| Wire-Ø incl. isolation                    | 2.1 mm ±5% (0.25 mm <sup>2</sup> ); 1.5 mm ±5% (0.34 mm <sup>2</sup> )                    |
| Color/numbering of wires                  | wh, bl (data pair); bk, rd (power pair)   |
| Shield                                    | yes   |
| optical shield cover                      | min. 65%  |
| Material (jacket)                         | PUR   |
| Outer-Ø (jacket)                          | 6.9 mm ±5%  |
| Color (jacket)                            | violet  |
| thermal resistance                        | flame-retardant according to UL 1581 section 1090, section 1100 (FT2), IEC 60332-1-2 Std. |
| Nominal voltage                           | 300 V   |
| Test voltage                              | 2000 V AC (test duration 1 min)   |
| Temperature range (fixed)                 | -40...+80 °C  |
| Temperature range (mobile)                | -30...+70 °C  |
| Bend radius (fixed)                       | 6× outer Ø  |
| Bend radius (moving)                      | 10× outer Ø   |
| No. of bending cycles (C-track)           | max. 1 Mio. (25 °C)   |

The information in this brochure has been compiled with the utmost care.

Liability for the correctness completeness and topicality of the information is restricted to gross negligence. Version: 03/22

|                        |            |
|------------------------|------------|
| Travel speed (C-track) | max. 3 m/s |
|------------------------|------------|

|                        |                         |
|------------------------|-------------------------|
| Acceleration (C-track) | max. 5 m/s <sup>2</sup> |
|------------------------|-------------------------|

**Commercial data**

|                   |    |
|-------------------|----|
| country of origin | CZ |
|-------------------|----|

|                       |          |
|-----------------------|----------|
| customs tariff number | 85444290 |
|-----------------------|----------|

|     |               |
|-----|---------------|
| EAN | 4048879610292 |
|-----|---------------|

|        |          |
|--------|----------|
| eClass | 27279218 |
|--------|----------|

|                |       |
|----------------|-------|
| Packaging unit | 1.000 |
|----------------|-------|