

Drive Cliq IP20/ M12 fem. recept. A-cod. shielded

PUR 0.20+0.38 shielded gn UL/CSA+drag ch. 7.5m

Ethernet CAT5

Flange female straight – male straight

DRIVE-CLiQ IP20

M12, 8-pole

partly used

shielded

without cable sleeves

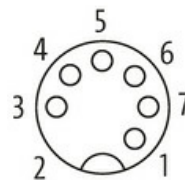
Rear mounting

Further cable lengths on request.

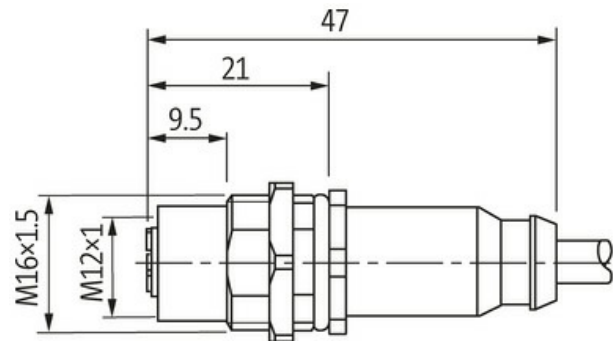
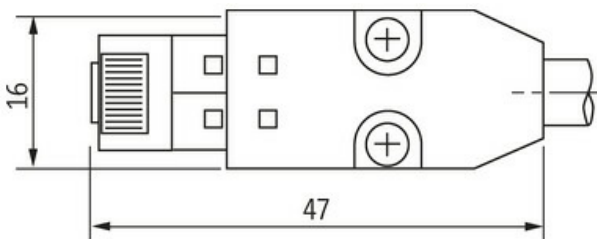
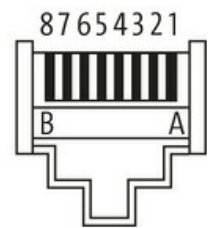
The resistance to aggressive media should be individually tested for your application. Further details on request.

Link to Product**Illustration**

Female



Male



Product may differ from Image



Form

Form SS075

Technical Data

| | |
|-------------------------------|--|
| Operating voltage | max. 30 V AC/DC |
| Rated surge voltage | 0.5 kV |
| Operating current per contact | max. 1.76 A |
| Transfer parameters | CAT5, Class D (ISO/IEC 11801:2002), (EN 50173-1) |
| Transfer rate | up to 100 Mbit/s full duplex |

| | |
|-------------------|--|
| Material group | IEC 60664-1, category II |
| Coding | A-coded |
| Locking of ports | Screw thread (M12×1 mm) recommended torque 0.6 Nm, self-securing |
| Compression gland | M12 (SW14) |
| Protection | IP67 (M12) - IP20 (DRIVE-CLiQ) |
| Protection NEMA | 3, 4, 6P (UL 50E) (M12) |
| Material | PUR |
| Locking material | Brass, nickel plated |

General data

| | |
|-------------------|--|
| Pollution Degree | 3 |
| Temperature range | -25...+85 °C, depending on cable quality |

Cables

| | |
|----------------------------|-------------------------|
| No./diameter of wires | 2× 2× 0.20 + 1× 2× 0.38 |
| Wire isolation | PO (gnye, pkbl, rdbk) |
| C-track properties | 5 Mio. |
| Outer Ø | 6.9 mm ±5% |
| Cable number | 880 |
| Shield | yes |
| optical shield cover | min. 85% |
| Material (jacket) | PUR |
| Jacket Color | green |
| Temperature range (fixed) | -20...+80 °C |
| Temperature range (mobile) | -20...+60 °C |
| Bend radius (moving) | 10× outer Ø |
| Torsion stress | ±30°/m |
| Material (jacket) | PUR (UL/CSA) |

Commercial data

| | |
|-----------------------|---------------|
| country of origin | DE |
| customs tariff number | 85444210 |
| EAN | 4048879618304 |
| eClass | 27061801 |
| Packaging unit | 1.000 |