

M12 male 0° L-coded field-wireable5-pol. max. 2,5mm²

Male straight

M12

5-pole

L-coded

Screw terminals

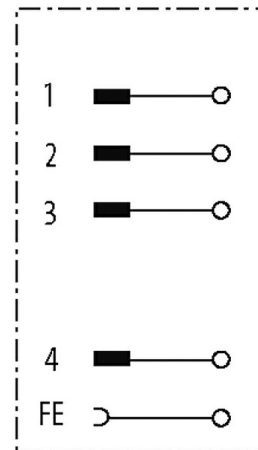
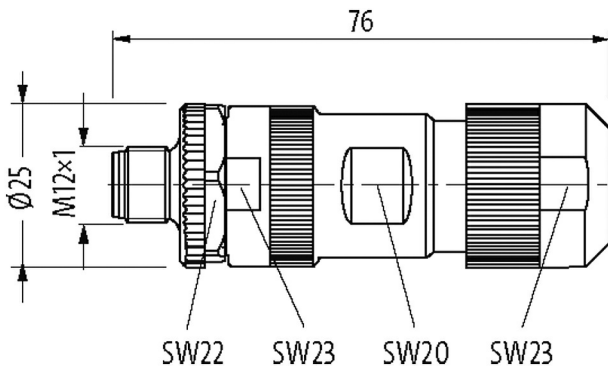
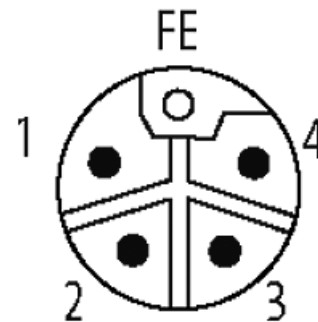
Sealing range (cable Ø)

8...13 mm

The resistance to aggressive media should be individually tested for your application. Further details on request.

[Link to Product](#)**Illustration**

Male



Product may differ from Image

Technical Data

Operating voltage	max. 63 V
Rated surge voltage	1.5 kV
Operating current per contact	max. 16 A
Coding	L-coded
Sealing range (cable Ø)	8...13 mm
Locking of ports	Screw thread (M12×1 mm)
Protection	IP67 inserted and tightened (EN 60529)
Material	PA

Over voltage category	3
Material group	IEC 60664-1, category II
Contact resistance	≤ 5 mΩ
Connection	Screw terminal
Connection cross section	1.5 mm ² (with ferrule end); 2.5 mm ² (without ferrule end)
Mating cycles	≥ 100
General data	
Temperature range	-40...+85 °C
Pollution Degree	3
Material (contact)	Copper alloy
Material (contact surface)	Au
Material (contact carrier)	PA
Commercial data	
country of origin	DE
customs tariff number	85366990
EAN	4048879786553
eClass	27279221
Packaging unit	1