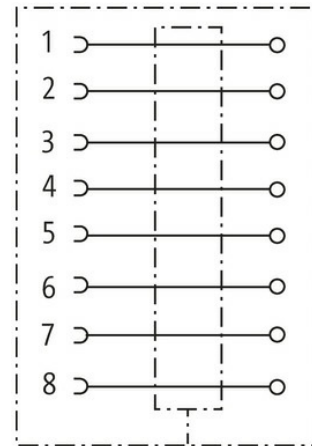


M12 female receptacle X coded front mount solder

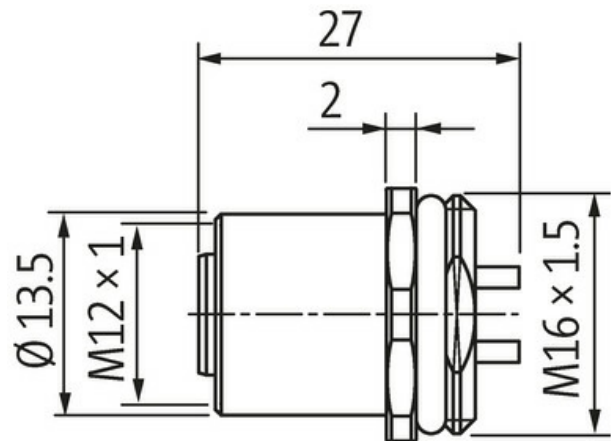
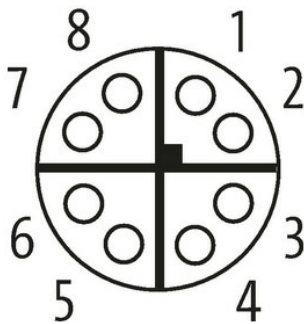
Ethernet CAT6A
M12, 8-pole
X-coded
shielded
Solder connection
Front mounting

[Link to Product](#)

Illustration



Female



Product may differ from Image

Form

Form 21151

Technical Data

| | |
|-------------------------------|--|
| Operating voltage | max. 50 V AC/60 V DC |
| Operating current per contact | max. 0.5 A |
| Transfer parameters | CAT6, Class EA (ISO/IEC 11801:2002), (EN 50173-1) |
| Transfer rate | 10 Gbit/s |
| Locking of ports | Screw thread (M12x1 mm) recommended torque 0.6 Nm, self-securing |
| Protection | IP67 inserted and tightened (EN 60529) |
| Housing | Brass, nickel plated |

General data

The information in this brochure has been compiled with the utmost care.
Liability for the correctness completeness and topicality of the information is restricted to gross negligence. Version: 03/22

| | |
|-----------|--------------------------|
| Standards | DIN EN 61076-2-109 (M12) |
|-----------|--------------------------|

| | |
|-------------------|--------------|
| Temperature range | -40...+85 °C |
|-------------------|--------------|

Commercial data

| | |
|-------------------|----|
| country of origin | DE |
|-------------------|----|

| | |
|-----------------------|----------|
| customs tariff number | 85366990 |
|-----------------------|----------|

| | |
|-----|---------------|
| EAN | 4048879504119 |
|-----|---------------|

| | |
|--------|----------|
| eClass | 27279220 |
|--------|----------|

| | |
|----------------|-------|
| Packaging unit | 1.000 |
|----------------|-------|