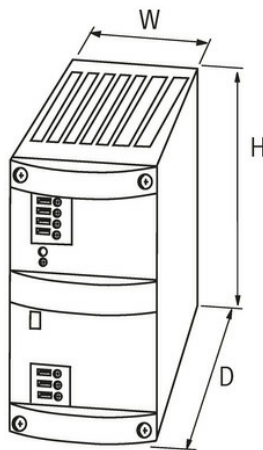
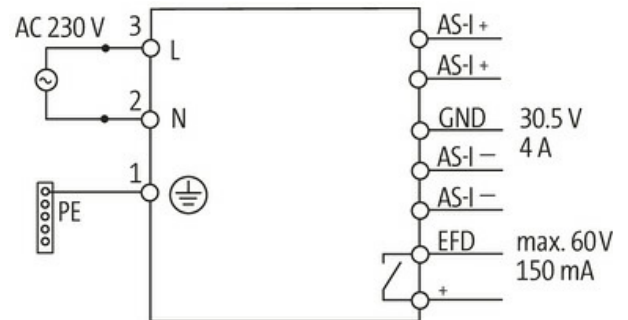


MCS-A ASI POWER SUPPLY 1-PHASE,

IN: 95-265VAC OUT: 30,5V/4ADC

INPUT: 95...265 V AC
 Current: 4 A
 with EFD (earth fault detection)
 Single-phase, primary switched
 Protection IP20

[Link to Product](#)**Illustration**

Product may differ from Image

**General data**

Standards	IEC 61010-2-201, EN 61204-3, EN 55022 B
Mounting method	DIN-rail mountable TH35 (EN 60715)
Temperature range	-10...+40 °C, ...+55 °C derating (storage temperature -25...+85 °C)
AS-Interface	Unit complies to AS-Interface specification for power supplies (PELV)
Protection	IP20

Efficiency	83% (110 V AC); 85% (240 V AC)
------------	--------------------------------

Dimensions H×W×D	115×62×163 mm
------------------	---------------

Output

Output voltage	30.5 V DC (SELV), ±2%
----------------	-----------------------

Output rating	122 W
---------------	-------

LED display	LED (green) for output voltage
-------------	--------------------------------

Output suppression	Filter acc. to AS-Interface specification
--------------------	---

Output current	max. 4.0 A (+40 °C); 3.4 A (+55 °C)
----------------	-------------------------------------

Mains failure bridging time	min. 14 ms (110 V AC); min. 80 ms (230 V AC)
-----------------------------	--

Ripple	max. 20 mV eff/rms
--------	--------------------

Unit protection	short-circuit and overload protected
-----------------	--------------------------------------

Input

Input voltage	95...265 V AC
---------------	---------------

Primary fusing external	max. 10 A (T)
-------------------------	---------------

Input current	2.1 A
---------------	-------

Inrush current after 1 ms	max. 35 A (230 V AC)
---------------------------	----------------------

Frequency	50...60 Hz
-----------	------------

Commercial data

country of origin	CZ
-------------------	----

customs tariff number	85044090
-----------------------	----------

EAN	4048879079891
-----	---------------

eClass	27049002
--------	----------

Packaging unit	1.000
----------------	-------