

EXACT12, 4XM12, 5 POLE

Conn.M12 12pole

4-way, 5-pole

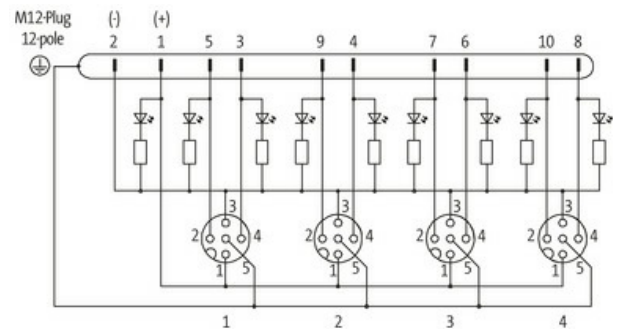
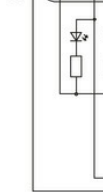
M12 plug connection

12-pole used

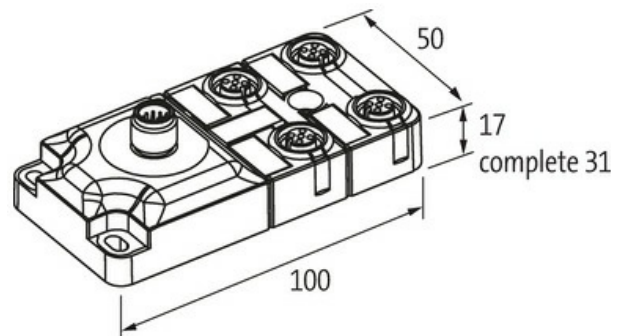
with LED for digital PNP-signals 24 V DC

Plastic housings with good resistance against chemicals and oils.

The resistance to aggressive media should be individually tested for your application. Further details on request.

Link to Product**Illustration**M12-Females
5-poleM12-Plug
12-poleM12-Plug
12-pole

for 2 signals per port



Product may differ from Image

**Technical Data**

Operating voltage	24 V DC
Operating current per contact	max. 1.5 A
Protection	IP65/IP67
Housing	Plastic, flame retardant
Total current	max. 1.5 A

General data

Temperature range	-20...+70 °C
-------------------	--------------

The information in this brochure has been compiled with the utmost care.

Liability for the correctness completeness and topicality of the information is restricted to gross negligence. Version: 03/22

Murrelektronik Ltd. | 5 Albion Street, Pendlebury Industrial Estate, Swinton | Manchester M27 4FG | Fon +44 161 728 3133 | Fax +44 161 728 3130 | shop@murrelektronik.co.uk | shop.murrelektronik.co.uk

Contact Layout

PIN 1	(+)
PIN 2	(NC)/(S2)
PIN 3	(-)
PIN 4	(NO)/(S1)
PIN 5	(Earth)
LED (green): Power / LED (yellow): (S1) / LED (white): Signal (S2)	

Commercial data

country of origin	DE
customs tariff number	85369010
EAN	4048879296328
eClass	27279219
Packaging unit	1.000