

M8 ADAPTOR ON REAR / MSUD VALVE PLUG FORM C 8MM

Form C (8 mm) – M8, connector at the rear

24 V AC $\pm 20\%$ / DC $\pm 25\%$

LED and suppressor diode

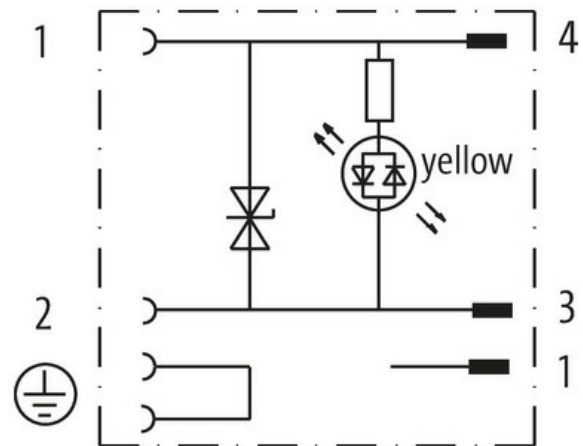
3-pole

Plastic housings with good resistance against chemicals and oils.

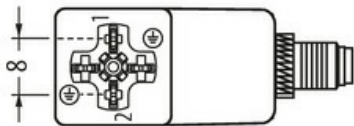
The resistance to aggressive media should be individually tested for your application. Further details on request.

[Link to Product](#)

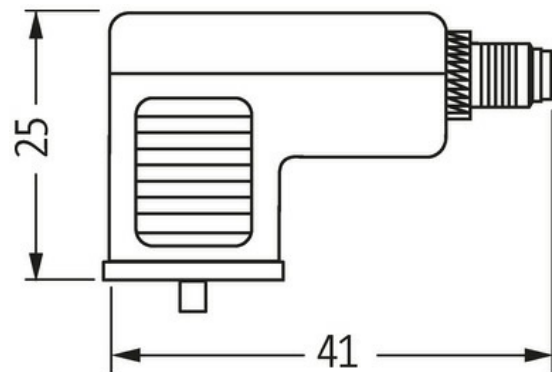
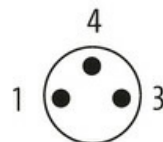
Illustration



Female



Male



Depth: 15 mm

Product may differ from Image

Form

Form 88975

Technical Data

Operating voltage	24 V AC $\pm 20\%$ / DC $\pm 25\%$
Rated surge voltage	0.8 kV
Operating current per contact	max. 4 A
Material group	IEC 60664-1, category I
Switch off peak	max. 55 V
LED display	yellow
Locking of ports	M2.5/M8 (recommended torque 0.4 Nm)
Protection	IP67 inserted and tightened (EN 60529)

Locking material	Steel (galvanized)
Configuration	2 contacts + bridged PE

General data

Mounting method	inserted, tightened
Pollution Degree	3
Temperature range	-25...+85 °C

Commercial data

country of origin	CZ
customs tariff number	85366990
EAN	4048879347433
eClass	27143423
Packaging unit	1.000