

## NLS POWER SUPPLY 1/2-PHASE, LINEAR REGULATED

IN: 230/400VAC OUT: 24V/4ADC

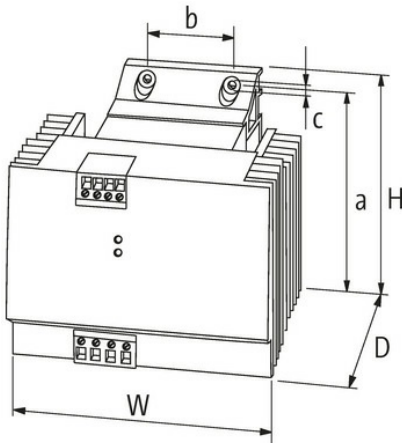
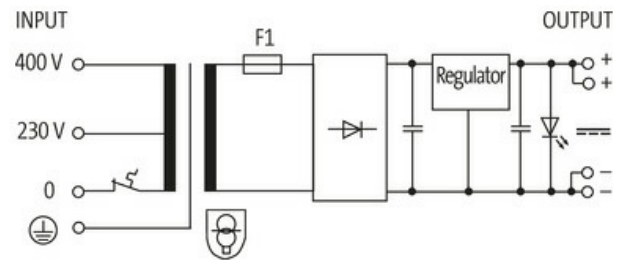
Current: 4 A

Output rating: 96 W

This power supply units meet the (EN 61000-3-2) standard for harmonic current.

### [Link to Product](#)

#### Illustration



Product may differ from Image



#### General data

Standards	EN 61558-2-6, EN 62041 category II, EN 55011 B, EN 61000-3-2
Mounting method	DIN-rail mountable TH35 (EN 60715); key-hole mounting/screwable
Temperature range	0...+60 °C, no condensation
Fixing centers a×b×c	98×80×4.5 mm
Efficiency	63%
Dimensions H×W×D	110×172×161 mm

#### Output

The information in this brochure has been compiled with the utmost care. Liability for the correctness completeness and topicality of the information is restricted to gross negligence. Version: 03/22

Output voltage	24 V DC (SELV), $\pm 2\%$
LED display	LED (green): in operation; LED (red): failure
Output fuse	10 A (T) (5×20 mm internal)
Output current	4 A (max. 12 A short-term)
Ripple	max. 10 mV
Unit protection	short-circuit and overload protected

#### Input

Input voltage	230/400 V AC
Input fuse (external)	1.6 AT (230 V AC); 1.0 AT (400 V AC)
Safety	Thermal switch input side
Input current	0.85 A (230 V AC); 0.49 A (400 V AC)
Frequency	50..60 Hz

#### Commercial data

country of origin	CZ
customs tariff number	85043180
EAN	4048879079570
eClass	27049002
Packaging unit	1.000