

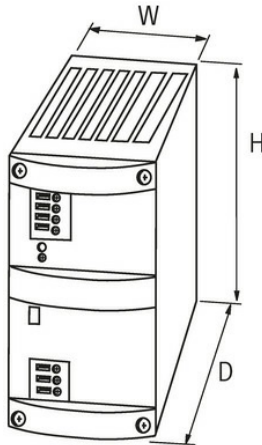
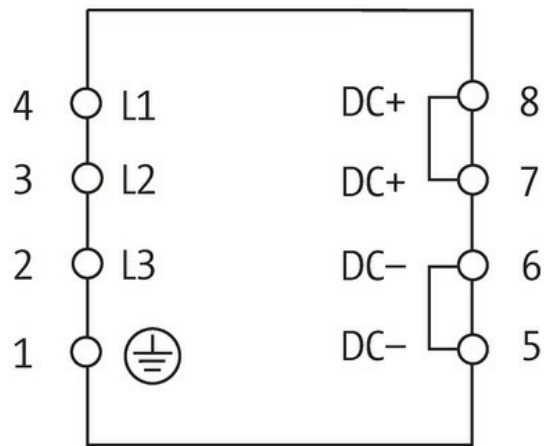
MCS POWER SUPPLY 3-PHASE,

IN: 340-460VAC OUT: 24-28V/10ADC

INPUT: 3× 340...460 V AC

OUTPUT: 24...28 V DC

Current: 10 A

[Link to Product](#)**Illustration**

Product may differ from Image

General data

Standards	IEC 61010-2-201, EN 61204-3, EN 55011 A
Mounting method	DIN-rail mountable TH35 (EN 60715)
Temperature range	0...+60 °C (storage temperature -25...+85 °C)
Relative humidity	30...90%, no condensation
Efficiency	90%
Dimensions H×W×D	127×68×160 mm

Output

Output voltage	24 V DC (SELV), ±1%; 24...28 V adjustable
LED display	LED (green) for output voltage
Selectable switch-off mode	front sided plug link (automatic re-start or definite shut-off)
Output current	10 A (+60 °C); 10...12 A (+40 °C)

The information in this brochure has been compiled with the utmost care.
Liability for the correctness completeness and topicality of the information is restricted to gross negligence. Version: 03/22

Mains failure bridging time	min. 10 ms (400 V AC)
Ripple	max. 20 mV eff/rms
Spikes	max. 100 mV ss/pp
Unit protection	short-circuit and overload protected
Parallel usage/serial usage	yes/yes

Input

Input voltage	3x 340...460 V AC
Primary fusing external	max. 3x 4 A
Input current	3x 0.7 A
Inrush current after 1 ms	max. 25 A
Frequency	50...60 Hz

Commercial data

country of origin	CZ
customs tariff number	85044090
EAN	4048879080484
eClass	27049002
Packaging unit	1.000