

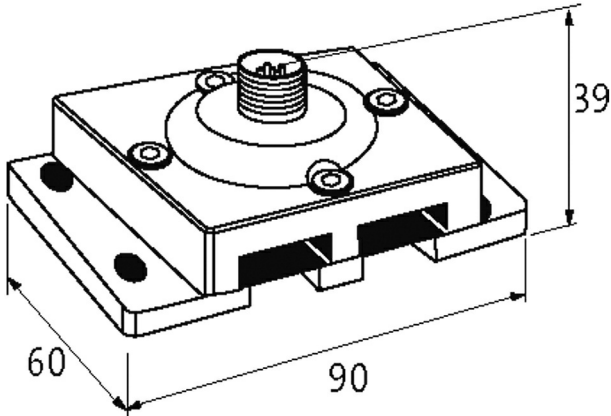
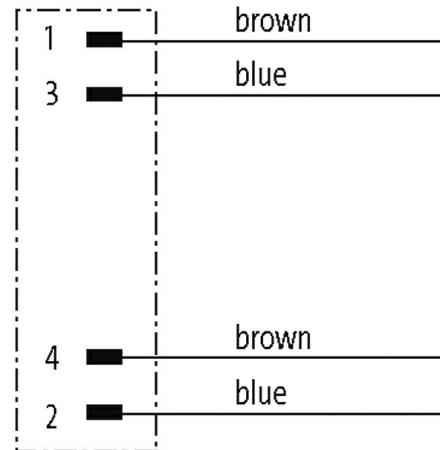
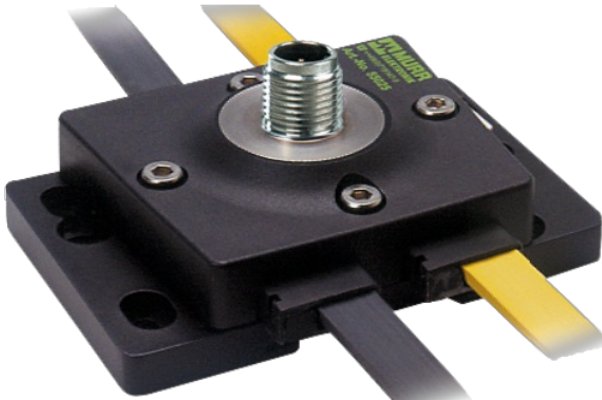
MASI67 INSTALLATION TECHNOLOGY

Converter 2x profile cable to M12 male

MASI67 converter
2x profile cable to M12 (male)
Connection cables are in the online shop under "Connection Technology".

[Link to Product](#)

Illustration



Product may differ from Image



Technical Data

Operating voltage	max. 36 V DC
Total current	max. 4 A

General data

Mounting method	DIN-rail mountable (EN 60715) or screw fixing
Temperature range	-20...+60 °C (storage temperature -40...+80 °C)
Test isolation voltage	AS-Interface/Power 200 V, (EN 60664-1)
Protection	IP67
Dimensions HxWxD	90x74x39 mm

The information in this brochure has been compiled with the utmost care.
Liability for the correctness completeness and topicality of the information is restricted to gross negligence. Version: 03/22

Contact Layout

PIN 1	AS-Interface + (brown)
PIN 2	0 V (blue)
PIN 3	AS-Interface - (blue)
PIN 4	+24 V (brown)
PIN 5	n.c.

Commercial data

country of origin	DE
customs tariff number	85369010
EAN	4048879052139
eClass	27400209
Packaging unit	1.000