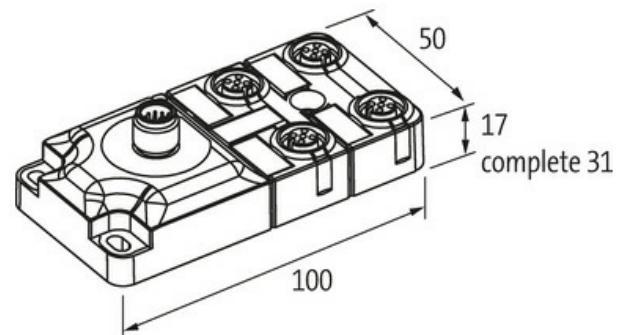
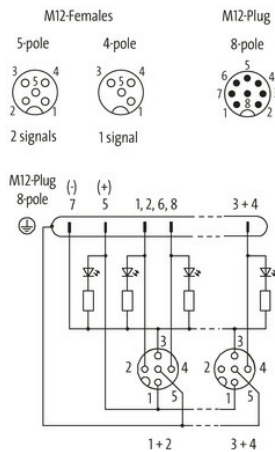
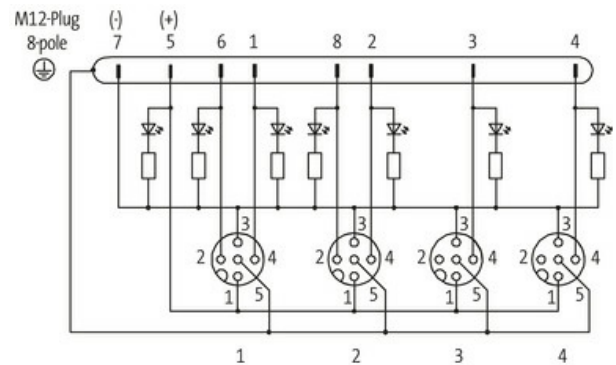


EXACT12, 4XM12, 4 POLE

Conn.M12 8pole

4-way
 4-pole (port 3+4)
 5-pole (port 1+2)
 M12 plug connection, 8-pole
 with LED for digital PNP-signals 24 V DC
 Plastic housings with good resistance against chemicals and oils.

Link to Product**Illustration**

Product may differ from Image

**Technical Data**

Operating voltage	24 V DC
Operating current per contact	max. 2 A
Protection	IP65/IP67
Housing	Plastic, flame retardant
Total current	max. 2 A

General data

Temperature range -20...+70 °C

Contact Layout

PIN 1	(+)
PIN 2	(NC)/(S2)
PIN 3	(-)
PIN 4	(NO)/(S1)
PIN 5	(Earth)
LED (green): Power / LED (yellow): (S1) / LED (white): Signal (S2)	

Commercial data

country of origin	DE
customs tariff number	85369010
EAN	4048879323086
eClass	27279219
Packaging unit	1.000