

IMPACT67 COMPACT MODULE, PLASTIC

CANopen, 8 dig. In + 8 dig. Out

Digital inputs/outputs

DI8 DO8 - 2 A

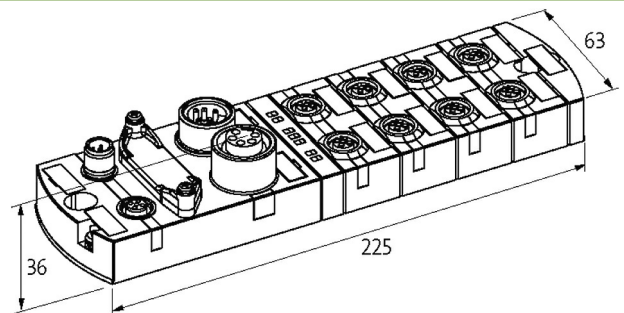
CAN 1 Mbit/s; M12, A-coded

7/8", 5-pole, 2× max. 9 A

M12, 5-pole, A-coded

Connection cables are in the online shop under "Connection Technology".

Housing fully potted.

[Link to Product](#)**Illustration**

Product may differ from Image

**General data**

Mounting method	2-hole screw mounting, compatible with I/O modules of MVK model range
Temperature range	-25...+70 °C (storage temperature -25...+70 °C)
Protection	IP67
Dimensions H×W×D	39×63×225 mm

Output

Switching current per output	max. 2 A (short-circuit and overload protected)
------------------------------	---

Input

Sensor supply US	24 V DC (EN 61131-2), max. 200 mA (M12 female), short-circuit and overload protected
------------------	--

Connections

Fieldbus	CAN 1 Mbit/s; M12, A-coded
Sensor-system/actuator supply	7/8", 5-pole, 2× max. 9 A
I/O ports	M12, 5-pole, A-coded

CANopen

Addressing	Rotary switch 1...99
------------	----------------------

Diagnostic

Communication status	via LED
Diagnostic via LED	per module and channel
Diagnostic via BUS	per module and channel
Monitoring - under voltage	yes
Monitoring - no voltage	yes

Commercial data

The information in this brochure has been compiled with the utmost care.
Liability for the correctness completeness and topicality of the information is restricted to gross negligence. Version: 03/22

country of origin	DE
customs tariff number	85389099
EAN	4048879052023
eClass	27242604
Packaging unit	1.000