

Valve plug MJC 90° with cable LED+VDR

RADOX EM 104 2x0.75 bk 20m

Female 90°

12...24 V AC/DC

LED and VDR

with cable sleeves

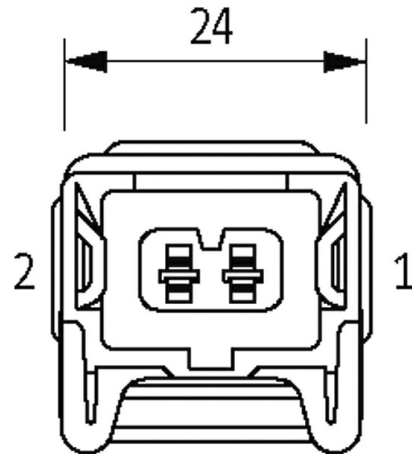
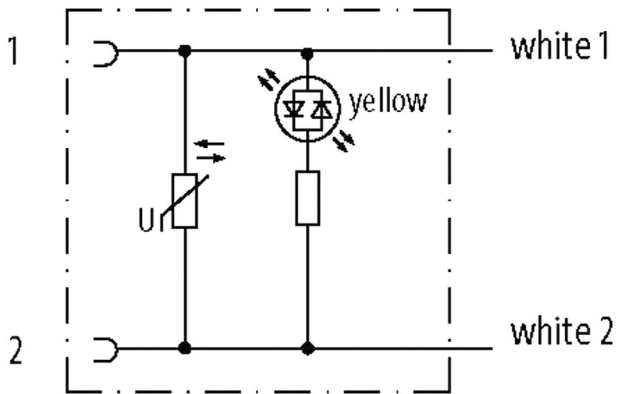
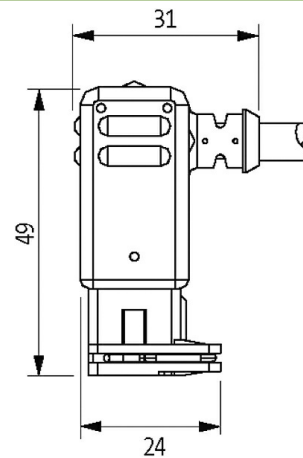
Plastic housings with good resistance against chemicals and oils.

The resistance to aggressive media should be individually tested for your application. Further details on request.

Further cable lengths on request.

Link to Product

Illustration



Product may differ from Image

Form

Form 70361

Technical Data

Operating voltage	12...24 V AC/DC
Rated surge voltage	0.8 kV
Operating current per contact	max. 4 A
Material group	IEC 60664-1, category I
LED display	yellow
Housing	Black plastic, flame retardant

The information in this brochure has been compiled with the utmost care.

Liability for the correctness completeness and topicality of the information is restricted to gross negligence. Version: 03/22

Murrelektronik Ltd. | 5 Albion Street, Pendlebury Industrial Estate, Swinton | Manchester M27 4FG | Fon +44 161 728 3133 | Fax +44 161 728 3130 | shop@murrelektronik.co.uk | shop.murrelektronik.co.uk

Additional suppressor VDR

General data

Pollution Degree	3
Stripping length (jacket)	50 mm
Temperature range	-25...+85 °C, depending on cable quality

Cables

Cable identification	R21
Approval (cable)	DIN EN 45545-2, CE conform
Cable weight [g/m]	48,40
Material (wire)	Cu wire, tin plated
Resistor (core)	max. 26 Ω/km (20 °C)
Single wire Ø (core)	0.23 mm
Construction (core)	19× 0.23 mm
Diameter (core)	2× 0.75 mm ²
AWG	similar to AWG 18
Material (wire isolation)	Radox EI 303
Wire-Ø incl. isolation	1.62 mm ±5%
Color/numbering of wires	wh (bk num)
Stranding combination	2 wires twisted
Shield	no
Material (jacket)	Radox EM 104
Outer-Ø (jacket)	4.75 mm ±5%
Color (jacket)	black
Nominal voltage	600/1000 V AC
Test voltage	3500 V AC
Current load capacity	according to DIN VDE 0298-4
Temperature range (fixed)	-50...+120 °C
Temperature range (mobile)	-25...+90 °C
Bend radius (fixed)	3× outer-Ø
Bend radius (moving)	4× outer-Ø
Jacket Color	black

Commercial data

country of origin	DE
customs tariff number	85444290
EAN	4048879699853
eClass	27279221
Packaging unit	1