

M23 SERVO CABLE

Specification: 6FX8002-5CS01-1AC5

Power cable for SINAMICS S120 and Motors with M23 connection

Female straight – pre-wired terminals

M23, 6-pole

4-pole used

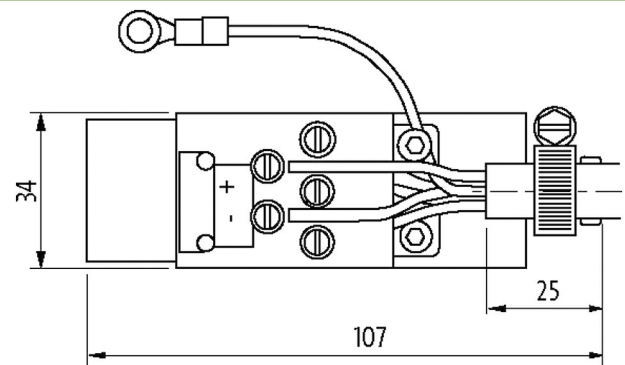
Further cable lengths on request.

Plastic housings with good resistance against chemicals and oils.

The resistance to aggressive media should be individually tested for your application. Further details on request.

Link to Product

Illustration



Product may differ from Image

Form

Form PS015

Technical Data

| | |
|-------------------------------|----------------------------------------------------------------------------------------------------------------|
| Operating voltage | max. 630 V AC/DC |
| Operating current per contact | Power cores: 12 A (1.5 mm ²), 15 A (2.5 mm ²); brake cores: 5 A (1.5 mm ²) |
| Locking of ports | Screw thread (M23×1 mm) recommended torque 2.0 Nm, self-securing |
| Compression gland | M23 (SW27) |
| Protection | IP20/IP67 |
| Locking material | Brass, nickel plated |
| Material | PUR |

General data

| | |
|-------------------|------------------------------------------|
| Pollution Degree | 3 |
| Temperature range | -25...+85 °C, depending on cable quality |

Cables

| | |
|-----------------------|-----------|
| Cable number | 854 |
| No./diameter of wires | (4G1.5+C) |

| | |
|----------------------------|-------------------------------|
| Wire isolation | TPM (bk num, gnye) |
| C-track properties | 10 Mio. |
| Torsion stress | ±30°/m |
| Jacket Color | orange |
| Material (jacket) | PUR (UL/CSA) (=MC800+) |
| Specification | 6FX8008-1BB11 |
| Outer Ø | 9.1 mm ±5% |
| Bend radius (fixed) | 5× outer Ø |
| Bend radius (moving) | 7.5× outer Ø |
| Temperature range (fixed) | -30...+80 °C |
| Temperature range (mobile) | -30...+60 °C |
| Shield | yes |
| Approval (cable) | cURus (AWM-Style 21223/10492) |

Commercial data

| | |
|-----------------------|---------------|
| country of origin | DE |
| customs tariff number | 85444290 |
| EAN | 4048879568319 |
| eClass | 27279218 |
| Packaging unit | 1 |