

MASI67 INSTALLATION TECHNOLOGY

Converter 2x profile cable to 7/8" male

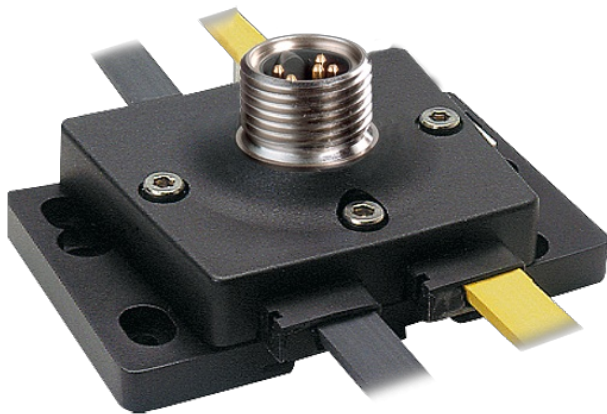
MASI67 converter

2x profile cable to 7/8" (male)

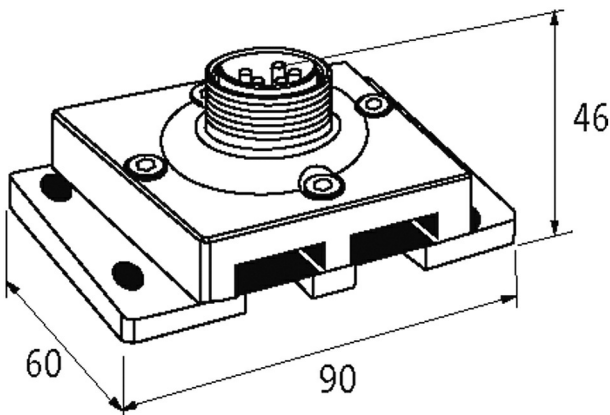
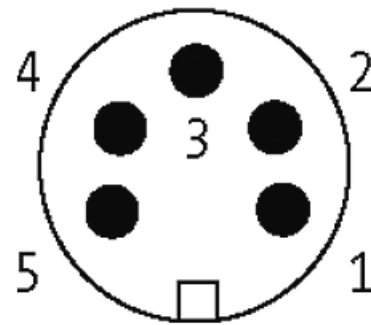
Connection cables are in the online shop under "Connection Technology".

[Link to Product](#)

Illustration



Male



Product may differ from Image



Technical Data

Operating voltage	max. 36 V DC
Total current	max. 8 A

General data

Test isolation voltage	AS-Interface/Power 200 V, (EN 60664-1)
Protection	IP67
Mounting method	DIN-rail mountable (EN 60715) or screw fixing
Temperature range	-20...+60 °C (storage temperature -40...+80 °C)
Dimensions HxWxD	90x74x46 mm

The information in this brochure has been compiled with the utmost care. Liability for the correctness completeness and topicality of the information is restricted to gross negligence. Version: 03/22

Murrelektronik Ltd. | 5 Albion Street, Pendlebury Industrial Estate, Swinton | Manchester M27 4FG | Fon +44 161 728 3133 | Fax +44 161 728 3130 | shop@murrelektronik.co.uk | shop.murrelektronik.co.uk

Contact Layout

PIN 1	AS-Interface + (brown)
PIN 2	AS-Interface - (blue)
PIN 3	n.c.
PIN 4	+24 V (brown)
PIN 5	0 V (blue)

Commercial data

country of origin	DE
customs tariff number	85369010
EAN	4048879052153
eClass	27400209
Packaging unit	1