

EXACT12, 4XM12, 5-POLE, CAP, PLUG. SCREW-TERM

W.o. LEDs

4-way, 5-pole

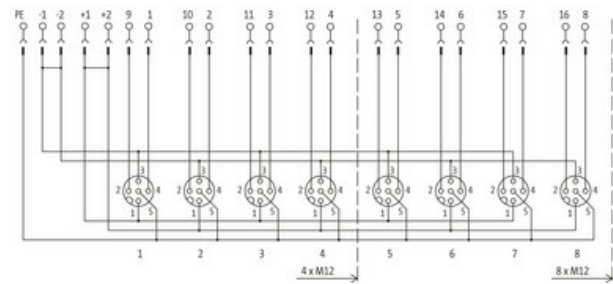
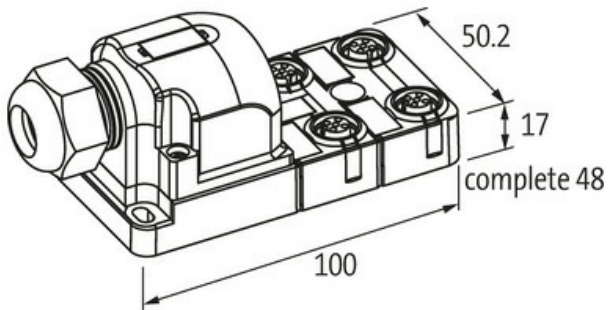
without LED, up to 125 V AC/DC

Screw plug-in terminals

Plastic housings with good resistance against chemicals and oils.

The resistance to aggressive media should be individually tested for your application. Further details on request.

Further cable lengths on request.

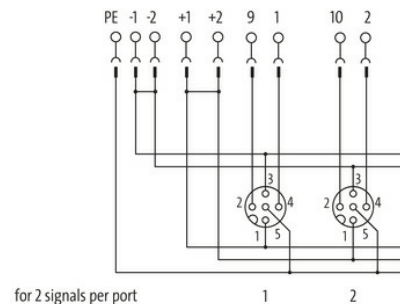
[Link to Product](#)**Illustration**

M12-Females 5-pole



9 | 11 | 13 | 16 | 14 | 12 | 10

-1 | +1 | 1 | 3 | PE | 4 | 2 | +2 | -2



Product may differ from Image

Technical Data

Operating voltage	125 V AC/DC
Operating current per contact	max. 4 A
Connection	Screw plug-in terminals: max. 1.5 mm ² (AWG 16)
Protection	IP65/IP67
Housing	Plastic, flame retardant
Total current	max. 8 A

General data

Temperature range	-20...+70 °C
-------------------	--------------

Contact Layout

PIN 1	(+)
-------	-----

PIN 2	(NC)/(S2)
PIN 3	(-)
PIN 4	(NO)/(S1)
PIN 5	(Earth)

Commercial data

country of origin	DE
customs tariff number	85369010
EAN	4048879055611
eClass	27279219
Packaging unit	1.000