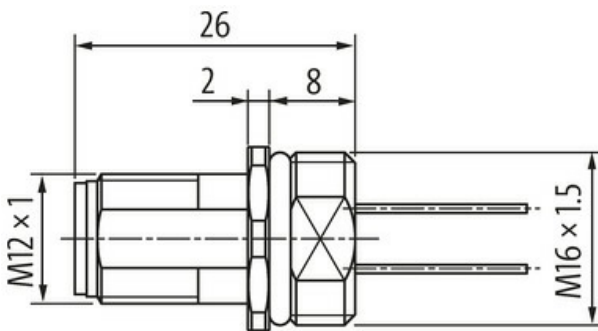
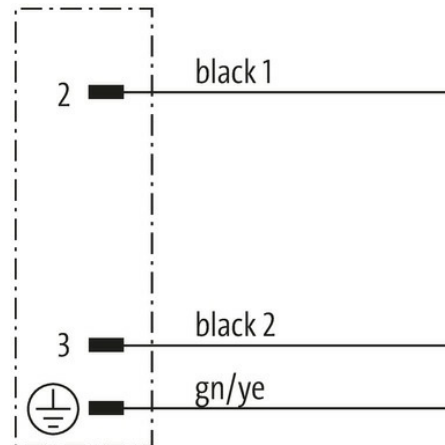
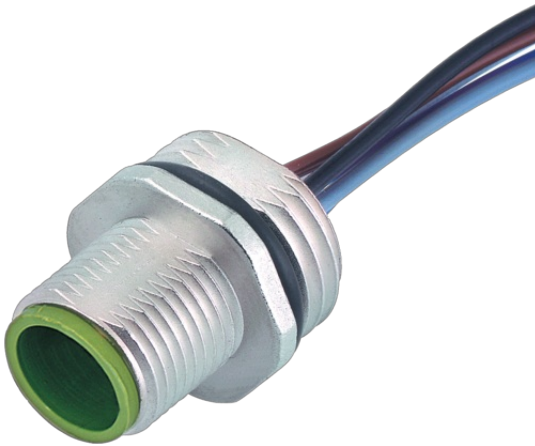


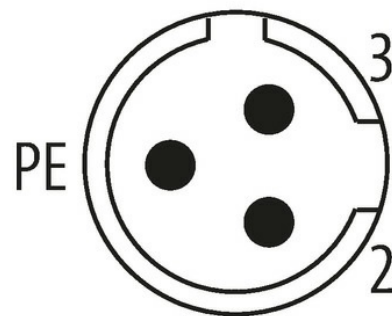
M12 male recept. C-cod. front

PP-wires 3x0.75 0.2m

Flange male
M12, 3-pole
C-coded
Front mounting
with multi-strand wire

[Link to Product](#)**Illustration**

Male



Product may differ from Image

**Form**

Form 20201

Technical Data

Operating voltage	max. 250 V AC/DC
Rated surge voltage	2.5 kV
Operating current per contact	max. 4 A

No. of poles	3
Material group	IEC 60664-1, category I
Coding	C-coded
LED display	no
Locking of ports	Screw thread (M12×1 mm) recommended torque 0.6 Nm, self-securing
Compression gland	M12 (SW14)
Protection	IP67 inserted and tightened (EN 60529)
Locking material	Zinc die casting, matte nickel plated

General data

Material (contact)	Copper alloy
Material (contact surface)	Au
Pollution Degree	3
Temperature range	-25...+85 °C

Cables

No./diameter of wires	3× 0.75 mm ²
Wire isolation	PP (bk num, gnye)
Outer Ø	1.85 mm ±5%
Cable number	930
Temperature range (fixed)	-40...+80 °C
Temperature range (mobile)	-25...+80 °C
Bend radius (fixed)	5× outer Ø
Bend radius (moving)	10× outer Ø

Commercial data

country of origin	DE
customs tariff number	85444290
EAN	4048879385718
eClass	27279220
Packaging unit	1.000