

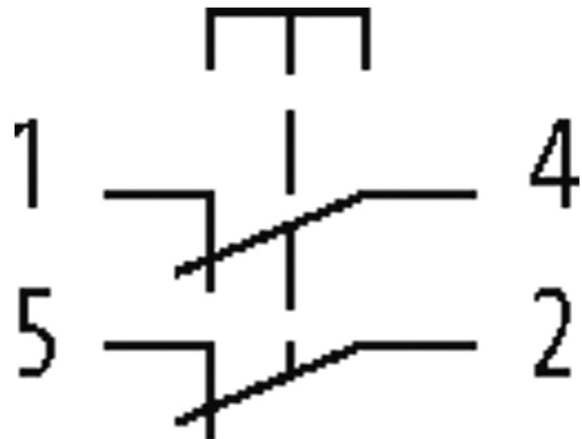
Emergency-stop pushbutton with 2 positive opening contacts

in a IP65 enclosure

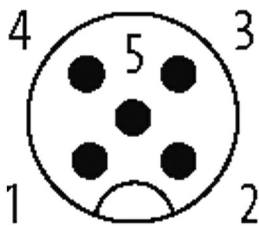
E-Stop 72 2NC M12(5)
with M12 connection
5-pole
Emergency-Stop button
2 NC (positively-opening)

[Link to Product](#)

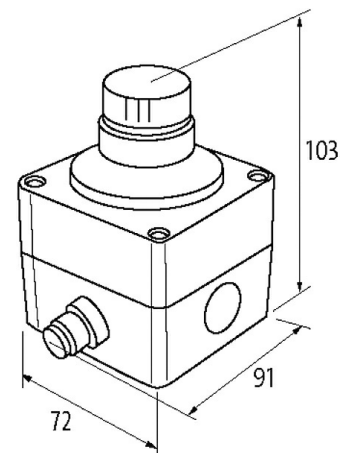
Illustration



Male



PIN 1: N/C 1
PIN 2: N/C 2
PIN 3: n.c.
PIN 4: N/C 1
PIN 5: N/C 2



Product may differ from Image

Technical Data

| | |
|---------------------|-----------------------------|
| Contact bounce time | max. 9 ms |
| Switching capacity | 30 A (AC 15); 2.2 A (DC 13) |

General data

| | |
|--------------------|--|
| Mounting method | screw fixing |
| Material (contact) | Ag Ni |
| Temperature range | -25...+60 °C (storage temperature -25...+85 °C) |
| Lambda (d) | 20% (N/C) |
| B10d | 250 000 |
| Mech./ elect. life | 1 000 000 operations, load-temperature dependent |

| | |
|------------------|--------------|
| Protection | IP65 |
| Connection | M12 (5-pole) |
| Dimensions H×W×D | 103×72×91 mm |

Contact Layout

| | |
|-------|-------|
| PIN 1 | N/C 1 |
| PIN 2 | N/C 2 |
| PIN 3 | n.c. |
| PIN 4 | N/C 1 |
| PIN 5 | N/C 2 |

Utilization category

| | |
|-------|----------------|
| AC-15 | 3 A (250 V AC) |
| DC-13 | 2 A (24 V DC) |

Commercial data

| | |
|-----------------------|---------------|
| country of origin | DE |
| customs tariff number | 85365080 |
| EAN | 4048879594684 |
| eClass | 27371244 |
| Packaging unit | 1.000 |