

SOLID67 IOL8(M8 5P) 30mm M12L 5P

SOLID67 Multiprotocol Profinet or EthernetIP

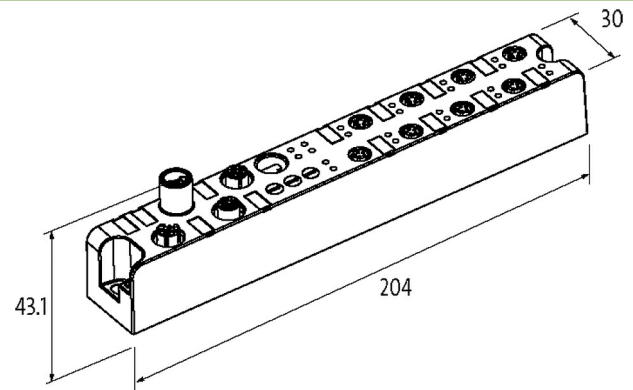
IOL8

M12 Power, 5-pole, L-coded

M8, 5-pole, B-coded

Connection cables are in the online shop under "Connection Technology".

Housing fully potted.

[Link to Product](#)**Illustration**

Product may differ from Image

**General data**

Mounting method	2-hole screw mounting
Temperature range	-20...+70 °C
Protection	IP67
Dimensions H×W×D	43.1×30×204 mm

Output

Actuator supply UA	24 V DC (EN 61131-2), max. 9 A
Switching current per output	max. 0.5 A (PIN 4, X1...X8), short-circuit and overload protected

Input

Sensor supply US	24 V DC (EN 61131-2), max. 500 mA (M12 female), short-circuit and overload protected
Type	for 3-wire sensors or mechanical switches, PNP, IO-Link Devices

IO-Link

Specification	IO-Link Master V1.1
Port Class	4× A (port X1...X4), 4× B (port X5...X8, galvanically separated, PIN 2 max. 4 A, max. 4 A per module)
IO-Link	8× Master
Transfer parameters	32 Input byte and/or 32 Output byte (per IO-Link port)
Operating modes	COM1; COM2; COM3 (automatic)

Parameterization

PIN 4	Input (port X1...X8); Output (port X1...X8); IO-Link Master (port X1...X8)
PIN 2	Input (port X1...X4)

Connections

The information in this brochure has been compiled with the utmost care.

Liability for the correctness completeness and topicality of the information is restricted to gross negligence. Version: 03/22

Murrelektronik Ltd. | 5 Albion Street, Pendlebury Industrial Estate, Swinton | Manchester M27 4FG | Fon +44 161 728 3133 | Fax +44 161 728 3130 | shop@murrelektronik.co.uk | shop.murrelektronik.co.uk

Fieldbus	Ethernet 10/100 Mbit/s; M12, D-coded
Sensor-system/actuator supply	M12 Power, 5-pole, L-coded
I/O ports	M8, 5-pole, B-coded
PROFINET	
Specification	V2.3, Conformance Class C (IRT)
Addressing	DCP
PROFINET Netload Class	II
MRP	yes
Shared Device	yes, for 2 controls
EtherNet/IP	
Addressing	DHCP, BOOTP or IP address by rotary switch
DLR (Device Level Ring)	yes
Diagnostic	
Communication status	via LED
Diagnostic via LED	per module and channel
Diagnostic via BUS	per module and channel
Actuator warning	via LED and BUS
Monitoring - under voltage	yes
Monitoring - no voltage	yes
Short-circuit and overload	yes
Cable break	per port
Commercial data	
country of origin	DE
customs tariff number	85389099
EAN	4048879727907
eClass	27242604
Packaging unit	1.000