

MB CAP ULTRA BUFFER MODUL

IN: 20,4-26,4VDC OUT:23VDC/3A for max.1A/21S

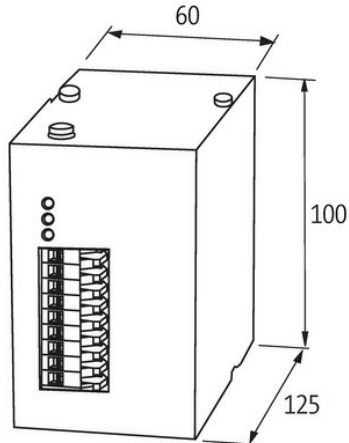
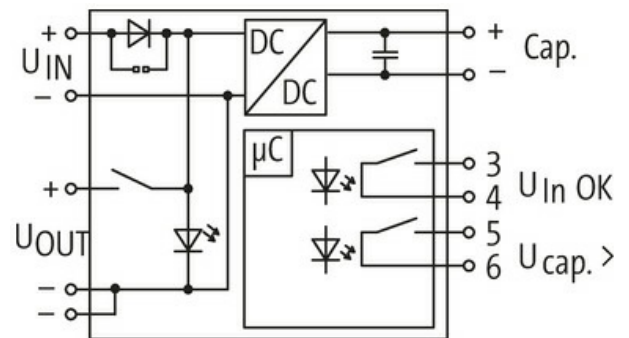
INPUT: 24 V DC (SELV/PELV)

OUTPUT: max. 3 A

7 s (3 A); 21 s (1 A)

Link to Product

Illustration



Product may differ from Image



General data

Standards	EN 60950, EN 50178, SELV/PELV
Mounting method	DIN-rail mountable TH35 (EN 60715)
Temperature range	-20...+60 °C (storage temperature -20...+60 °C)
Efficiency	90%

Output

Output voltage	23 V DC $\pm 2\%$
Buffer time	7 s (3 A); 21 s (1 A)

The information in this brochure has been compiled with the utmost care. Liability for the correctness completeness and topicality of the information is restricted to gross negligence. Version: 03/22

Output current max. 3 A (+60 °C)

Input

Input voltage 20.4...26.4 V DC

Loading time min. 25 s

Input current 3 A

Commercial data

country of origin DE

customs tariff number 85322900

EAN 4048879079808

eClass 27049190

Packaging unit 1.000