

Emparro Power Supply 3-PHASE

IN: 360 - 500VAC OUT: 24-28V/20ADC

INPUT: 3× 324...572 V AC / 450...745 V DC

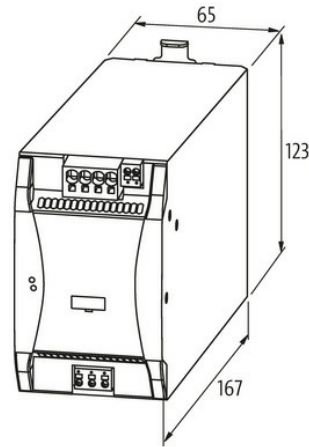
OUTPUT: 24...28 V DC

Current: 20 A

Varnished board

Link to Product

Illustration



Product may differ from Image



General data

Standards	IEC 61010-2-201, EN 61204-3, EN 55011 B, EN 61000-3-2, SEMI F47
Mounting method	DIN-rail mountable TH35 (EN 60715)
Temperature range	-40...+70 °C, ...+70 °C derating (storage temperature -40...+85 °C)
Relative humidity	5...95%, no condensation
Protection	IP20
Efficiency	94.8% (3× 400 V AC); 94.5% (3× 480 V AC)
Connection	Push-In spring clamp terminals
Dimensions H×W×D	143×65×167 mm

Output

Output voltage	24 V DC (SELV), ±1%; 24...28 V adjustable
Power Boost	I _{out} N × 150% (min. 5 s)
LED display	LED (green): OK; LED (red): overload, overheating or short-circuit
Output current	15 A (70 °C); 20 A (60 °C); 24 A (45 °C)
Mains failure bridging time	min. 40 ms (3× 500 V AC)
Ripple	max. 20 mV eff/rms
Spikes	max. 90 mV ss/pp
Unit protection	short-circuit and overload protected, permanently by 20% (to 45 °C)
Parallel usage/serial usage	max. 3 units

Input

Input voltage	3× 324...572 V AC/450...745 V DC
Input current	1.3 A (3× 360 V AC); 1.0 A (3× 500 V AC)

The information in this brochure has been compiled with the utmost care. Liability for the correctness completeness and topicality of the information is restricted to gross negligence. Version: 03/22

Inrush current after 1 ms	max. 13 A (3× 500 V AC)
Power factor	0.65 (3× 500 V AC)
Frequency	50..60 Hz
Input fuse (internal)	3× 6.3 A (T)

Commercial data

country of origin	CZ
customs tariff number	85044090
EAN	4048879538725
eClass	27049002
Packaging unit	1.000