

**B10 male 3+2-pole, Push-in, 800/500 V, 16 A**

B10

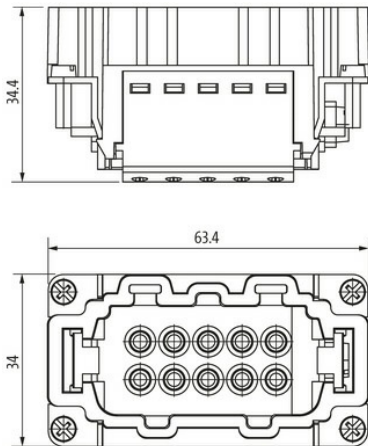
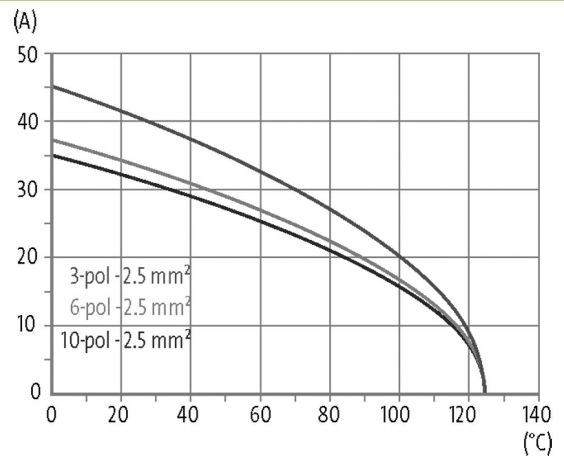
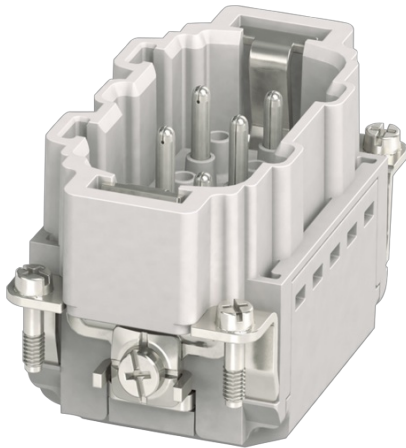
Male

3+2-pole

Push-In terminals

Technical data will be only guaranteed with Murrelektronik components.

Please use wire end ferrule.

[Link to Product](#)**Illustration**

Product may differ from Image

**Technical Data**

Operating voltage	830/500 V AC/DC
Rated surge voltage	8.0/6.0 kV
Operating current	16 A
No. of poles	3 + 2 + PE
Mating cycles	min. 500

Connection	Push-In terminals
Connection cross section	0.14...2.5 mm <sup>2</sup> (AWG 26...13)
Stripping length	8...10 mm
Over voltage category	III

**General data**

Material (contact)	Brass
Material (contact surface)	Ag
Pollution Degree	3
Temperature range	-40...+125 °C
Material (contact carrier)	PA
Flammability class	V-0 (acc. to UL 94)
Size	B10
Type	Male
Dimensions H×W×D	34.4×34×63.4 mm

**Cables**

Current load capacity	see derating curve
-----------------------	--------------------

**Commercial data**

country of origin	CN
customs tariff number	85389099
EAN	4048879665032
eClass	27143424
Packaging unit	1.000