

MOSA VALVE PLUG FORM B 10 MM FIELD-WIREABLE (IDC)

Form B (10 mm)

24 V AC/DC $\pm 25\%$

LED and suppression

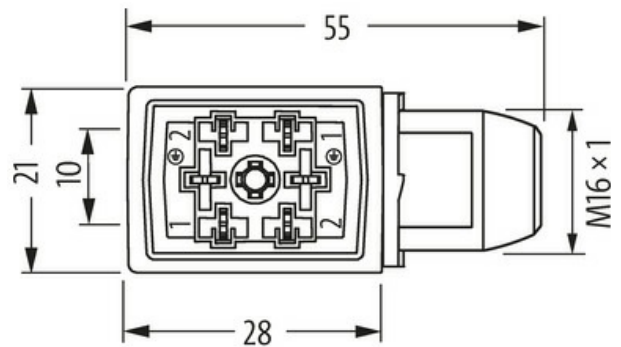
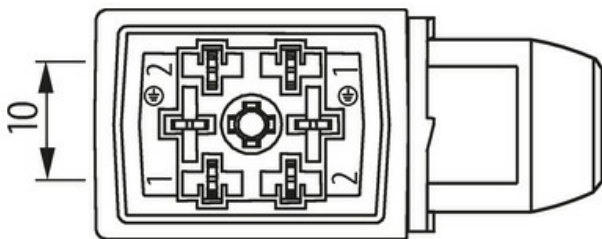
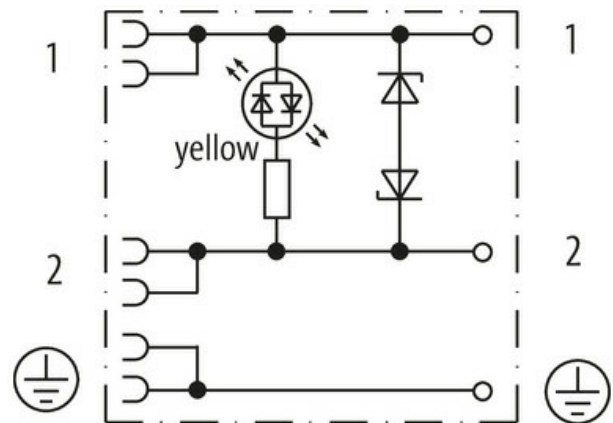
IDC terminals

Plastic housings with good resistance against chemicals and oils.

The resistance to aggressive media should be individually tested for your application. Further details on request.

[Link to Product](#)

Illustration



Height: 28 mm

Product may differ from Image

Form

Form 10121

Technical Data

Operating voltage	24 V AC/DC $\pm 25\%$
Operating current per contact	max. 6 A
Switch off peak	max. 53 V
Connection cross section	0.5...1.0 mm ² (conductor diameter min. 0.1 mm)
Sealing range (cable \varnothing)	5.5...8 mm
Protection	IP67 inserted and tightened (EN 60529)
Outer wire \varnothing	1.6...2.0 mm

General data

Temperature range -25...+85 °C

Mounting set	M16×1 mm
Dimensions H×W×D	28×21×55 mm

Commercial data

country of origin	DE
customs tariff number	85366990
EAN	4048879222556
eClass	27279221
Packaging unit	1.000