

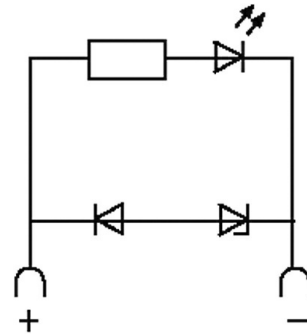
VALVE PLUG SUPPRESSOR FORM CI - 9.4MM

Zener diode and LED, 24VAC/DC/100VA/W

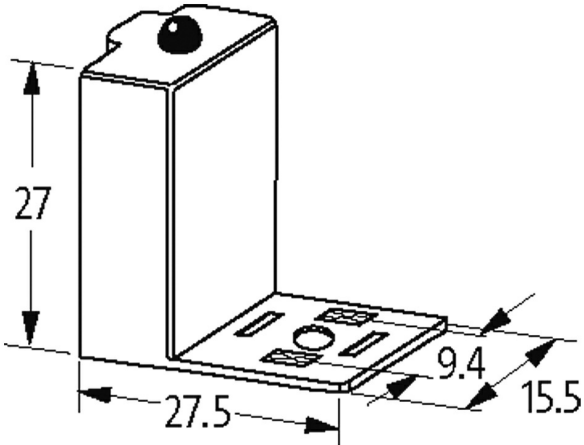
24 V AC/DC

Z-Diode + LED

Remove plug gasket when fitting adapter. Other LED colors on request.

[Link to Product](#)**Illustration**

Z-Diode + LED



Product may differ from Image

Technical Data

Switch off peak	max. 55 V
LED display	(yellow opac)
Input voltage	18...30 V AC/DC
max. power (W)	max. 100 W (VA)
Switch off delay time	max. 20 ms

General data

Material (contact)	Silvered bronze
Temperature range	-20...+60 °C
Housing	Polyamide black, flame retardant, temperature resistance up to 130 °C
Dimensions H×W×D	27×27.5×15.5 mm

Commercial data

The information in this brochure has been compiled with the utmost care.
Liability for the correctness completeness and topicality of the information is restricted to gross negligence. Version: 03/22

country of origin	CZ
customs tariff number	85363010
EAN	4048879011587
eClass	27371013
Packaging unit	1.000