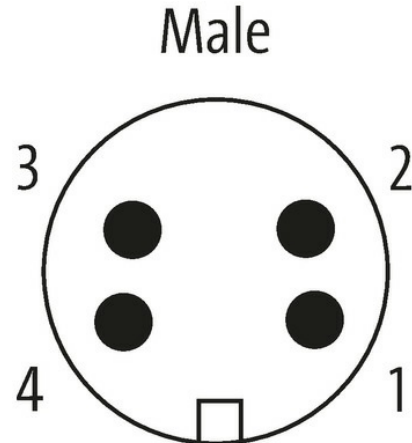
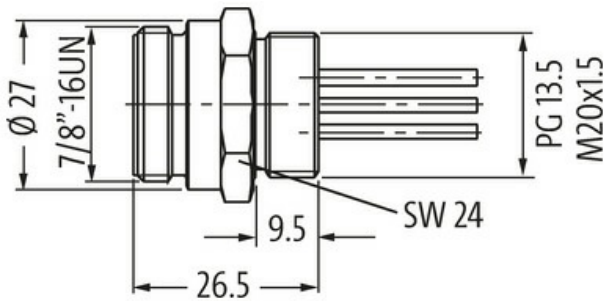
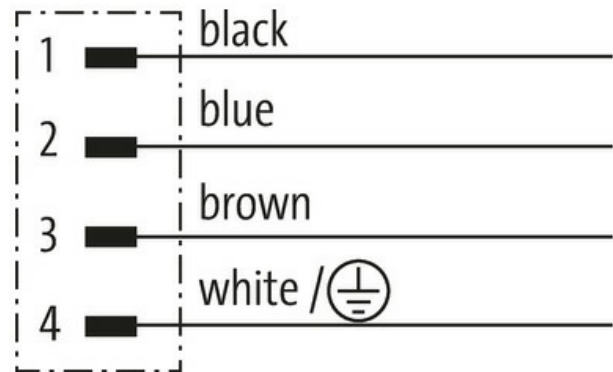


**7/8" MALE FLANGE PLUG**

Wire 4X0.75 0.2m

Flange male  
7/8" (4-pole)  
with multi-strand wire

[Link to Product](#)**Illustration**

Product may differ from Image

**Form**

Form 78321

**Technical Data**

Operating voltage	max. 300 V AC/DC
Operating voltage (only UL listed)	max. 600 V AC/DC
Rated surge voltage	4.0 kV
Operating current per contact	max. 7 A
Material group	IEC 60664-1, category III

The information in this brochure has been compiled with the utmost care.  
Liability for the correctness completeness and topicality of the information is restricted to gross negligence. Version: 03/22

Locking of ports	Screw thread 7/8" (recommended torque 1.5 Nm) self-securing
Compression gland	7/8" (SW24)
Protection	IP68 inserted and tightened (EN 60529)
Over voltage category	III

#### General data

Material (contact)	Copper alloy
Material (contact surface)	Au
Pollution Degree	3
Temperature range	-25...+85 °C
Material (contact carrier)	PUR

#### Cables

No./diameter of wires	4x 0.75 mm <sup>2</sup>
Wire isolation	PVC (br, wh, bl, bk)
Cable number	977

#### Commercial data

country of origin	DE
customs tariff number	85444290
EAN	4048879134682
eClass	27279218
Packaging unit	1.000