

M12 MALE 90° SELF WIREABLE SCREW TERMINAL5-pol. 0,14 - 1,5mm², 2,5-8mm cable diameter

Male 90°

M12, 5-pole

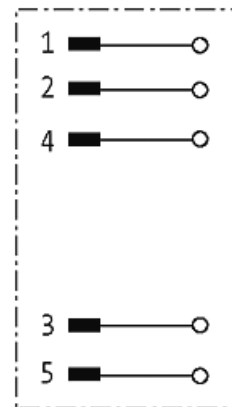
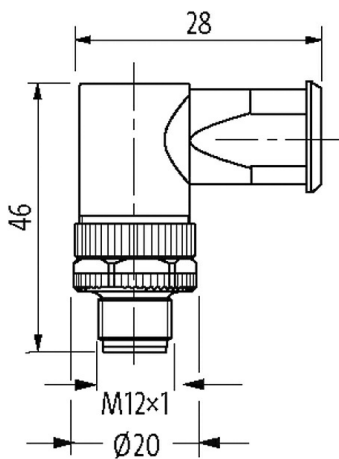
Screw terminals

Plastic housings with good resistance against chemicals and oils.

The resistance to aggressive media should be individually tested for your application. Further details on request.

[Link to Product](#)**Illustration**

Male



Product may differ from Image

**Form**

Form 12851

Technical Data

| | |
|-------------------------------|---|
| Operating voltage | max. 60 V AC/DC |
| Operating current per contact | max. 7.5 A (+40 °C; 1.5 mm ²) |
| Connection cross section | max. 1.5 mm ² |

| | |
|-------------------------|---|
| Sealing range (cable Ø) | 2.5...8.0 mm |
| Locking of ports | Screw thread (M12×1 mm) recommended torque 0.6 Nm |
| Protection | IP67 inserted and tightened (EN 60529) |

General data

| | |
|-------------------|--------------|
| Temperature range | -30...+85 °C |
| Dimensions H×W×D | 46×38×20 mm |

Commercial data

| | |
|-----------------------|---------------|
| country of origin | CZ |
| customs tariff number | 85366990 |
| EAN | 4048879438247 |
| eClass | 27279221 |
| Packaging unit | 1 |